

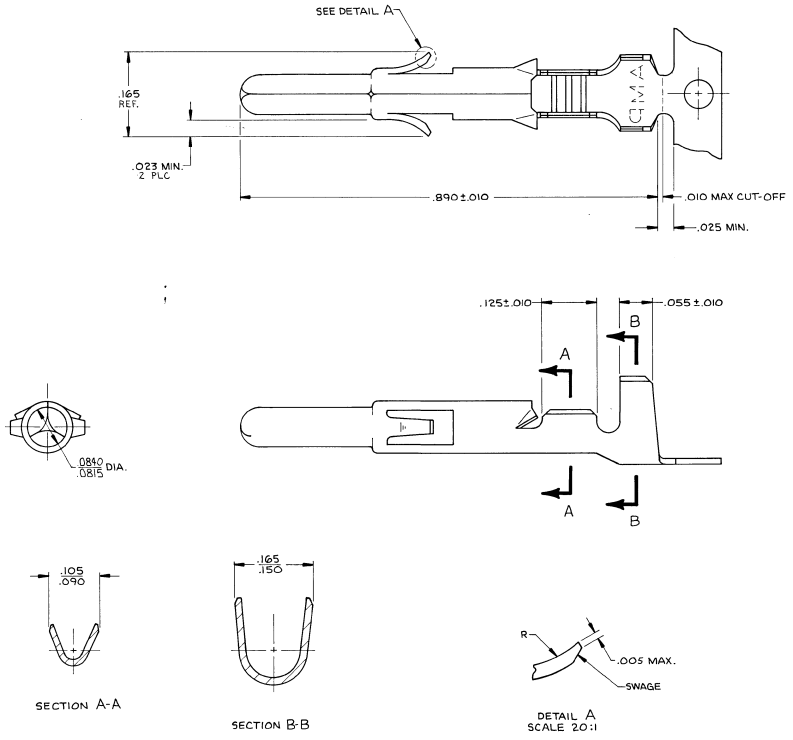
DRAWING MADE IN THIRD ANGLE PROJECTION

THIS DRAWING IS UNPUBLISHED. RELEASED FOR PUBLICATION

© AMP INCORPORATED, HARRISBURG, PA. ALL INTERNATIONAL RIGHTS RESERVED. AMP PRODUCTS MAY BE COVERED BY U.S. AND FOREIGN PATENTS AND/OR PATENT PENDING.

REV	DATE	DESCRIPTION	APPROVED
0	12-11-85	REVISED PER ECN CM-428 RELEASED PER TTTI CM-85-77 WAS 12-16-85-30	MS
A	1/14/86	REV PER ECN CM 471	MS
B	2-7-91	REVISED PER CM-3286	MS
C	7-24-91	REV PER EC 0730-3607-91	MS
D	7-26-91	REV PER EC 0730-041-91	MS

WIRE RANGE : 24-18 AWG
INSULATION RANGE : .130 DIA. MAX.



770210-1 SHOWN

PART 1-0		PART 1-0	
MATERIALS OTHER THAN SPECIFIED SHOULD BE APPROVED BY THE CUSTOMER. DIMENSIONS IN INCHES. TOLERANCES UNLESS OTHERWISE SPECIFIED: FRACTIONS .015 DECIMALS .015 ANGLES .015	DATE: 12-11-85 BY: R. Smiley	AMP INCORPORATED Harrisburg, Pa. 17105	NAME: PIN, UNIVERSAL MATE-N-LOK
FINISH: PRE-TIN	OTHER APP:	SIZE: D QUANT: 00779	DRAWING NO: 770210
SCALE: 10:1		SHEET	

CUSTOMER DRAWING