

4

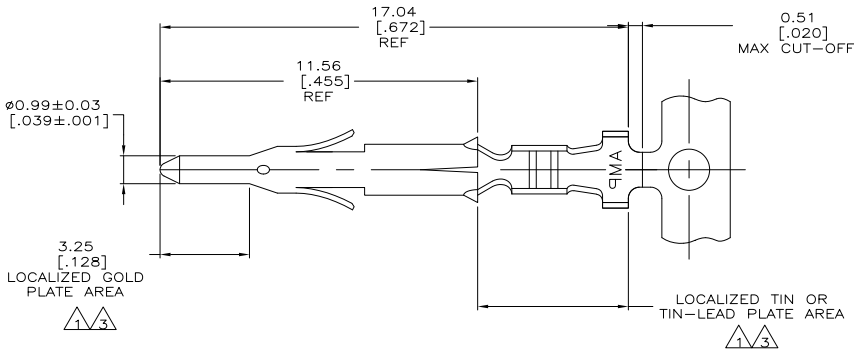
3

2

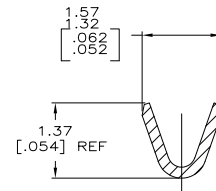
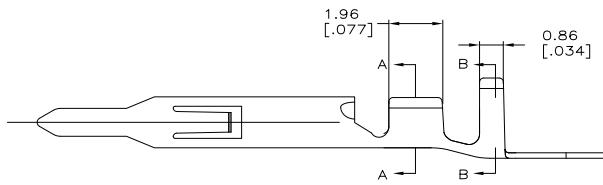
1

THIS DRAWING IS UNPUBLISHED.
 RELEASED FOR PUBLICATION
 ALL RIGHTS RESERVED.

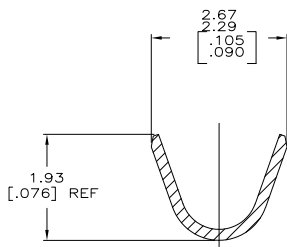
LOC	DIST	REVISIONS		
F	LNK	DESCRIPTION	DATE	BY
CM	00	H1	REVISED PER ECO-11-005027	11MAR11 RKH HMR



- 1. 0.00076 [.000030] MIN GOLD IN LOCALIZED GOLD PLATE AREA AND 0.00254 [.000100] MIN BRIGHT TIN-LEAD IN LOCALIZED TIN-LEAD PLATE AREA OVER 0.0013 [.000050] MIN NICKEL.
- 2. WIRE RANGE: 0.5 - 0.15mm² (30-26 AWG).
- 3. 0.00076 [.000030] MIN GOLD IN LOCALIZED GOLD PLATE AREA AND 0.00254 [.000100] MIN MATTE TIN IN LOCALIZED TIN PLATE AREA OVER 0.0013 [.000050] MIN NICKEL.



SECTION A-A
SCALE 20:1



SECTION B-B
SCALE 20:1

METRIC

3	0.20 [.008] BRASS	1-770835-0
1	0.20 [.008] BRASS	770835-3
PRE-TIN	0.20 [.008] BRASS	770835-1
FINISH	MATERIAL	PART NUMBER

THIS DRAWING IS A CONTROLLED DOCUMENT.		DRN S. HOOVER	OSMARD3	 TE Connectivity
DIMENSIONS: mm [INCHES]		CHK C. JONES	OSMARD3	
TOLERANCES UNLESS OTHERWISE SPECIFIED:		APP C. JONES	OSMARD3	
0 PLC ±		PRODUCT SPEC	NAME	
1 PLC ±		APPLICATION SPEC	SIZE CASE CODE DRAWING NO	RESTRICTED TO
2 PLC ±		WEIGHT	A200779C=770835	
3 PLC ±		FINISH	CUSTOMER DRAWING	SCALE 10:1 SHEET 1 of 1 REV H1
4 PLC ±				
ANGLES ±				