

4

3

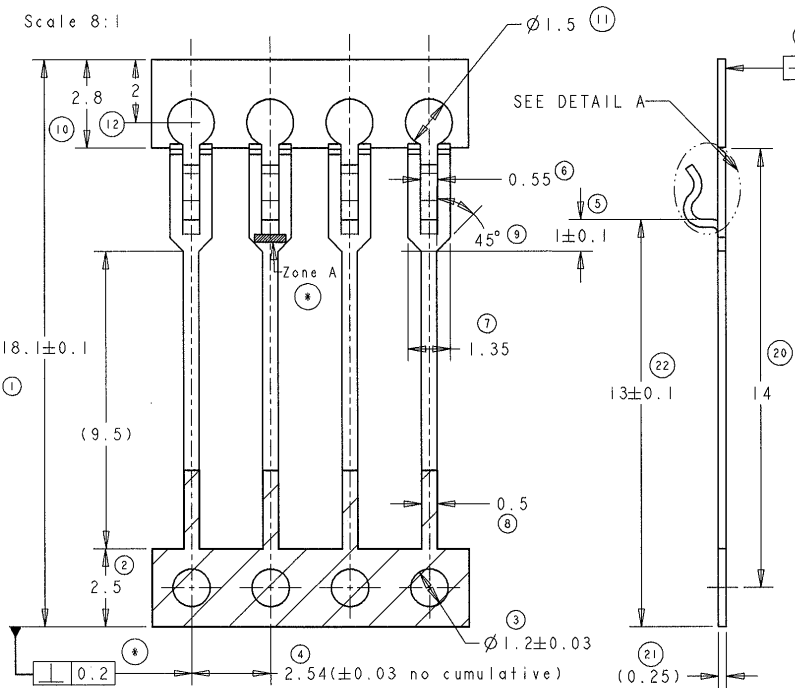
2

1

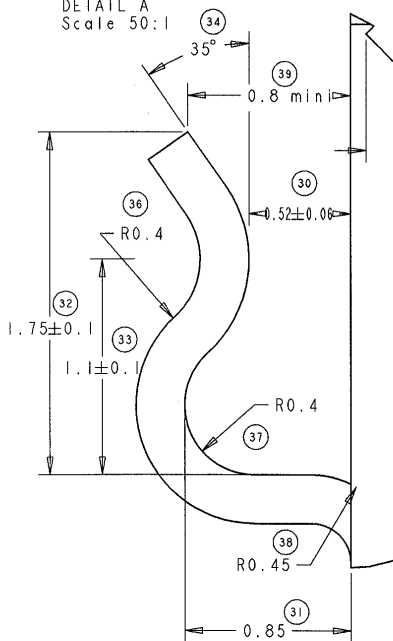
THIS DRAWING IS UNPUBLISHED. RELEASED FOR PUBLICATION 20
 COPYRIGHT 20 BY TYCO ELECTRONICS CORPORATION, ALL RIGHTS RESERVED.

LOC	DIST	REVISIONS			
P	LTR	DESCRIPTION	DATE	DWN	APVD
C		See EC : ER00-0362-03	04NOV2003	PFs	JDr
D		ER00-0321-04	25JUN2004	SRd	JDr

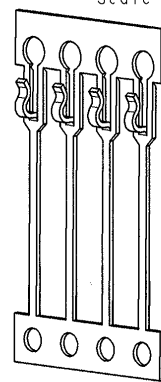
Scale 8:1



DETAIL A Scale 50:1



Scale 5:1



BOWING: After upper tie bar removal: 1.5mm Maxi for 500mm

PITCH: After upper tie bar removal: 2.54 ± 0.127

Dimension with * will be applied on ref 1544425-3 (518 2697)
 Nota: no marking by tool will be accepted in zone A (on top/on bottom)

PRONER COMATEL P/N	TYCO Electronics P/N	PLATING
5180718042111	1544425-1	Before stamping Sn:112-16-4 Sn pur 3µ mini
5180718044111	1544425-2	After stamping Ni:112-25-3 Sn:112-65-1 Ni:1.27 à 3µ Sn pur: 4µ mini
5182697044111	1544425-3	After stamping Ni:112-25-3 Sn:112-65-1 Ni:1.27 à 3µ Sn pur: 4µ mini
5183894004111	1544425-4	No
-	1544425-7	After stamping Sn:112-25-3 Sn:112-26-1 Ni:1.27 à 3µ SnPb: 4 à 8µ

<small>THIS DRAWING IS A CONTROLLED DOCUMENT FOR TYCO ELECTRONICS CORPORATION IT IS SUBJECT TO CHANGE AND THE CONTROLLING ENGINEERING ORGANIZATION SHOULD BE CONTACTED FOR THE LATEST REVISIONS.</small>		DWN P. FLORES 04NOV2003 CHK T. GUIMIER 04NOV2003 APVD J. DAHER 04NOV2003	tyco Electronics Tyco Electronics France SAS RN 90, 38530 Chapareillon
DIMENSIONS: mm	TOLERANCES UNLESS OTHERWISE SPECIFIED: 0 PLC ± 1 PLC ± 2 PLC ±0.05 3 PLC ± 4 PLC ± ANGLES ±7°	NAME PRODUCT SPEC APPLICATION SPEC WEIGHT	LEAD FRAME "SIL" SIZE A3 CAGE CODE 00779 DRAWING NO C=1544425 RESTRICTED TO
MATERIAL SM 105 FINISH See table	CUSTOMER DRAWING		SCALE 5:1 SHEET 1 OF 1 REV D