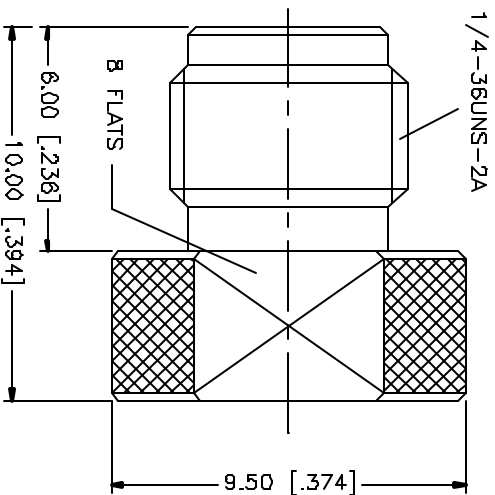


REV.	DATE	DESCRIPTION
NC	11/10/03	INITIAL RELEASE
A	07/31/04	UPDATE RESISTOR WATTAGE



8										
7										
6										
5										
4	RESISTOR	100R	1 WATT - 1%	2						
3	CONTACT PIN	BEER COPPER	GOLD	1						
2	INSULATOR	TEFLON	NATURAL	1						
1	BODY	BRASS	GOLD	1						
	DESCRIPTION	MATERIAL	FINISH	QTY						

USE THIS DRAWING TO CHECK DIMENSIONS AND FINISHES IN ALL UNITS. DIMENSIONS IN [] ARE IN INCHES AND ARE DISTRIBUTION DIMENSIONS ONLY.	
PART DESCRIPTION: SMA TERMINATOR JACK (50 ohm)	
PART NO.: 132361	
DRAWING NO.: 132361.DWG	
REV: A SIZE: A SCALE: NA	

APPROVALS		DATE
DRAWN	G.R.S.	07/31/04
CHECKED		
ISSUED		
BRETT	1 OF 1	

CAD FILE: C:/132/132361.DWG

DO NOT SCALE DRAWING

Amphenol **Comnex**