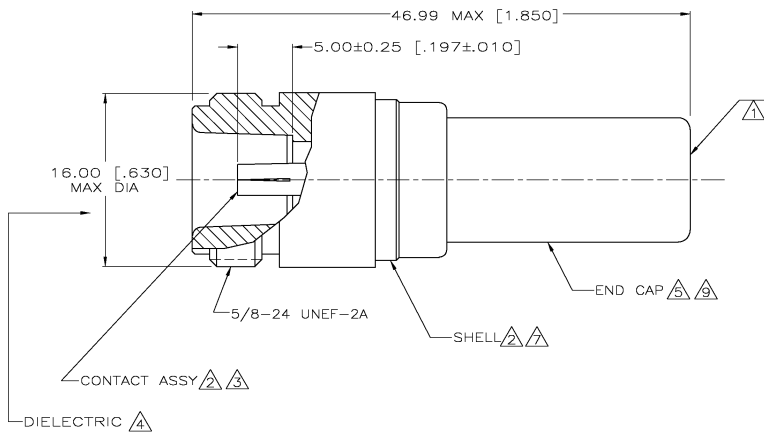


THIS DRAWING IS UNPUBLISHED. RELEASED FOR PUBLICATION  
 © COPYRIGHT BY TYCO ELECTRONICS CORPORATION. ALL RIGHTS RESERVED.

| LOC | QTY | REV | DESCRIPTION         | DATE    | BY | APPD |
|-----|-----|-----|---------------------|---------|----|------|
| AJ  | 16  | J   | PER EC 0514-0181-04 | 16DEC04 | GM | GM   |



- 1 STEEL STAMP 500, 1W, CHARACTERS, THIS SURFACE
- 2 BRASS PER QQ-B-626
- 3 BERYLLIUM COPPER PER QQ-C-530
- 4 PTFE PER MIL-P-19468
- 5 COPPER PER QQ-C-576
- 6 SILVER PL PER QQ-S-365, 2.54µm [.000100] MIN THK
- 7 NICKEL PL PER QQ-N-290, 2.54µm [.000100] MIN THK
- 8 GOLD PL PER MIL-G-45204, 2.54µm [.000100] MIN THK
- 9 TIN PLATE PER ASTM-B-545, 2.54µm [.000100] MIN THK
- 10 SEE SEPERATE RESTRICTED CUSTOMER DRAWING WITH THIS PART NUMBER
- 11 SAME AS 227997-3 EXCEPT PACKAGED 10 PER BOX

|                   |    |                |             |
|-------------------|----|----------------|-------------|
| SUPSD BY 227997-2 | 11 | -              | 227997-5    |
| SUPSD BY 227997-1 | 10 | -              | 227997-4    |
| SUPSD BY 227997-1 | 10 | -              | 227997-3    |
| OBSOLETE          | 6  | -              | 227997-2    |
|                   | 8  | -              | 227997-1    |
|                   |    | CONTACT FINISH | PART NUMBER |

| THIS DRAWING IS A CONTROLLED DOCUMENT. |        | DRW              | M. SNEED | 4-24-91 |
|--|--------|------------------|----------|---------|
| DIMENSIONS:                            |        | CHK              | R. HENRY | 4-24-91 |
| INCHES                                 |        | APPD             | R. HENRY | 4-24-91 |
| TOLERANCES UNLESS OTHERWISE SPECIFIED: |        | PRODUCT SPEC     |          |         |
| Ø                                      | PIC    | APPLICATION SPEC |          |         |
| 1                                      | PIC    | WEIGHT           |          |         |
| 2                                      | PIC    | FINISH           |          |         |
| 3                                      | PIC    | RESTRICTED TO    |          |         |
| 4                                      | PIC    | SCALE            |          |         |
| 5                                      | ANGLES | SHEET            |          |         |
| MATERIAL:                              |        | REV              |          |         |
| FINISH:                                |        | J                |          |         |
| NOTES 2 THRU 5                         |        | NOTES 6 THRU 9   |          |         |

|                              |           |
|------------------------------|-----------|
| Tyco Electronics Corporation |           |
| Harrisburg, PA 17105-3608    |           |
| TERMINATOR JACK, SERIES N    |           |
| SIZE                         | DATE CODE |
| A2                           | 00779     |
| C=227997                     |           |
| SCALE                        | SHEET     |
| 4:1                          | 1 of 1    |