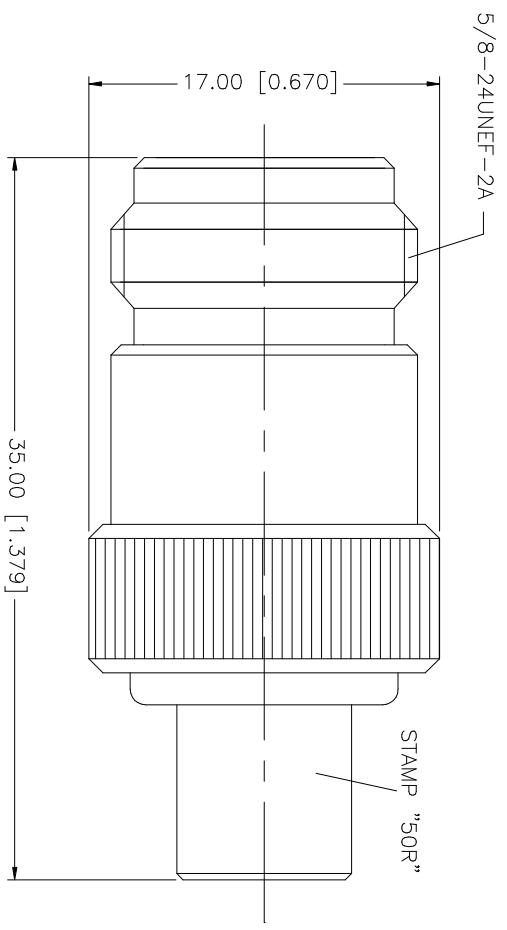


REV.	DATE	DESCRIPTION
NC	10/30/05	INITIAL RELEASE



NOTE:  
RESISTOR TOLERANCE  
1 WATT 1% - 50ohm

QTY	FINISH	MATERIAL	DESCRIPTION
1	NICKEL	BRASS	RIVET
1	NICKEL	BRASS	CHAIN
1	GOLD	PHOS. BRONZE	CONTACT PIN
1	NATURAL	TEFLON	INSULATOR
1	NECOCOTE	BRASS	SHELL/BODY
			DESCRIPTION

APPROVALS	DATE
DRAWN G.R.S.	10/30/05
CHECKED	
ISSUED	

DO NOT SCALE DRAWING	UNLESS OTHERWISE SPECIFIED DIMENSIONS ARE IN INCHES AND FOR CUSTOMER REFERENCE ONLY.	UNLESS OTHERWISE SPECIFIED DIMENSIONS ARE IN MILLIMETERS AND FOR CUSTOMER REFERENCE ONLY.
	UNLESS OTHERWISE SPECIFIED TOLERANCES FOR MILLIMETERS ARE: 0.3 - 8mm ± 0.20mm 8 - 30mm ± 0.40mm 30 - 120mm ± 0.50mm	UNLESS OTHERWISE SPECIFIED TOLERANCES FOR INCHES ARE: .020 - .315 = ± 0.007" .315 - 1.180 = ± 0.015" 1.180 - 4.724 = ± 0.020"

CAD FILE	DWG. NO.	REV.	SIZE	SCALE
C:/202/202110-.DWG	202110.DWG	NC	A	NA

PART NO.	PART DESCRIPTION
202110	N TERMINATOR JACK