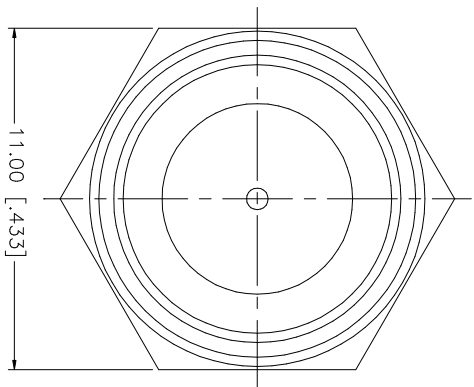
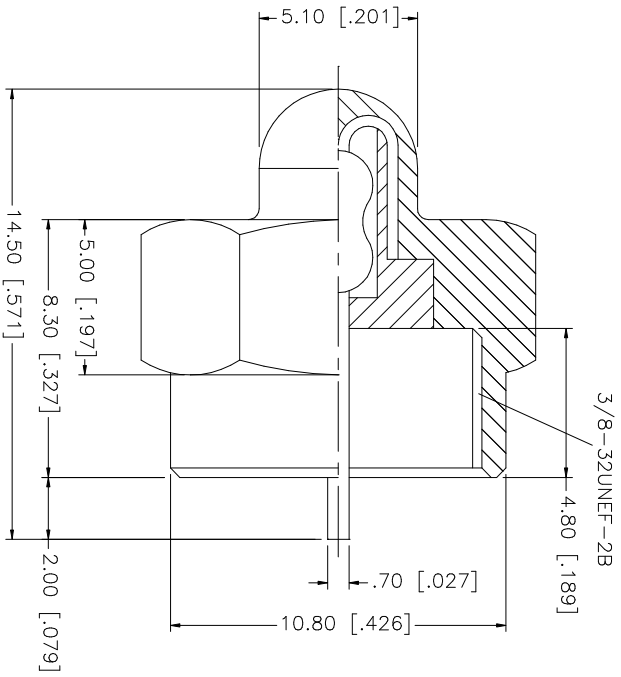


REV.	DATE	DESCRIPTION
A	04/09/03	UPDATE PART DESCRIPTION
B	07/29/06	REVISE CONTACT PIN PLATING TO NICKEL



NOTES:

1. RESISTOR: 75ohms - 1/8 WATT 1%
2. FREQUENCY: 0 - 3 Ghz
3. RETURN LOSS: 30 DB AT 1 Ghz

QTY	FINISH	MATERIAL	DESCRIPTION
1	NICKEL	DIECAST	HOUSING/BODY
1	NICKEL	STEEL	CONTACT PIN
1	NATURAL	TEFLON	INSULATOR

UNLESS OTHERWISE SPECIFIED DIMENSIONS ARE IN MILLIMETERS DIMENSIONS IN [ ] ARE IN INCHES AND FOR CUSTOMER REFERENCE ONLY.	UNLESS OTHERWISE SPECIFIED DIMENSIONS ARE IN MILLIMETERS DIMENSIONS IN [ ] ARE IN INCHES AND FOR CUSTOMER REFERENCE ONLY.
TOLERANCES FOR MILLIMETERS ARE: 0.5 - 8mm ± 0.20mm 8 - 30mm ± 0.40mm 30 - 120mm ± 0.50mm	TOLERANCES FOR INCHES ARE: .020 - .315 = ± 0.007" .315 - 1.180 = ± 0.015" 1.180 - 4.724 = ± 0.020"

APPROVALS	DATE
DRAWN G.R.S.	07/29/06
CHECKED	
ISSUED	

CAD FILE	DWG. NO.	REV.	SIZE	SCALE
C:/222/222154.DWG	222154.DWG	B	A	NA

PART NO.	DESCRIPTION
222154	F MALE TERMINATOR

**Amphenol Connex**