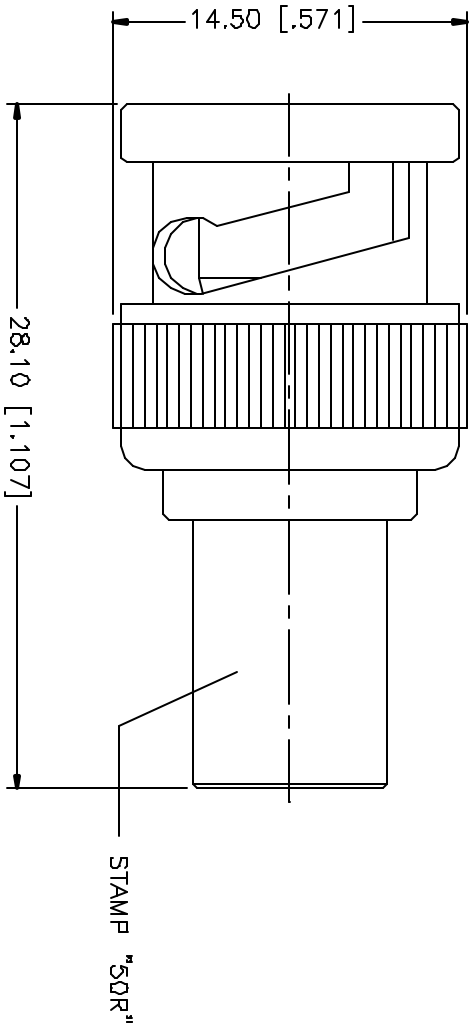


| REV. | DATE     | DESCRIPTION           |
|------|----------|-----------------------|
| A    | 05/23/05 | UPDATE DRAWING FORMAT |



| QTY | FINISH  | MATERIAL | DESCRIPTION    |
|-----|---------|----------|----------------|
| 1   | NICKEL  | BRASS    | INSULATOR BODY |
| 1   | NATURAL | DELRIIN  | INSULATOR      |
| 1   | GOLD    | BRASS    | CONTACT PIN    |

| APPROVALS    | DATE     |
|--------------|----------|
| DRAWN G.R.S. | 05/23/05 |
| CHECKED      |          |
| ISSUED       |          |
| SHEET 1 OF 1 |          |

|  |   |
|--|---|
| <b>Amphenol Connex</b><br>PART DESCRIPTION<br><b>BNC TERMINATOR PLUG - 75ohm</b><br>PART NO. <b>202105</b> | DWG. NO. 202105.DWG<br>REV. A<br>SITE A<br>SCALE NA |
|--|---|

|  |
|--|
| MASS FINISH SPECIFIED IN DRAWING ARE USED UNLESS OTHERWISE SPECIFIED. ALL DIMENSIONS ARE IN MILLIMETERS UNLESS OTHERWISE SPECIFIED.<br>DIMENSIONS FOR MILLIMETERS ARE:<br>D.S - 30mm ± 0.20mm<br>Ø - 30mm ± 0.40mm<br>3Ø - 120mm ± 0.50mm<br>MASS FINISH SPECIFIED IN DRAWING ARE:<br>DIMENSIONS FOR INCHES ARE:<br>.020 - .315 = ± 0.007"<br>.315 - 1.180 = ± 0.015"<br>1.180 - 4.724 = ± 0.020"<br>DID NOT SCALE DRAWING |
|--|