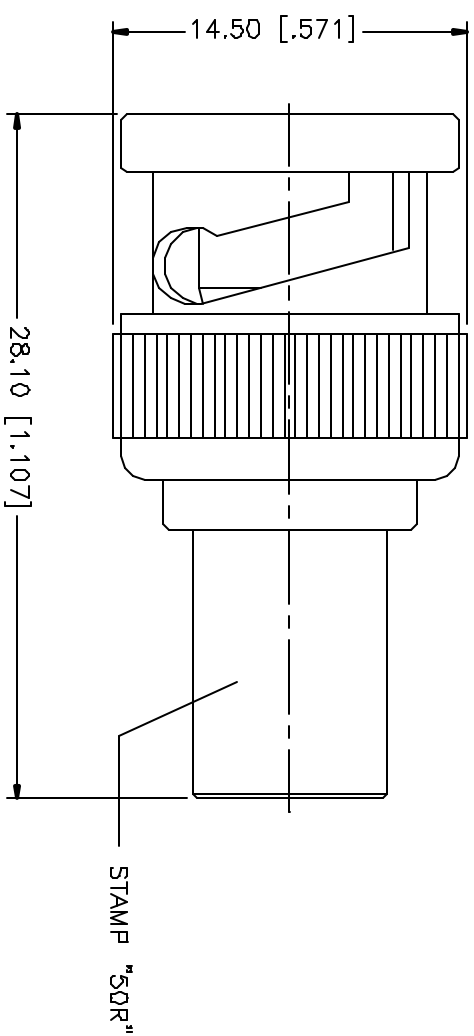


| REV. | DATE | DESCRIPTION |
|------|----------|-----------------------|
| A | 05/23/05 | UPDATE DRAWING FORMAT |



| QTY | FINISH | MATERIAL | DESCRIPTION |
|-----|---------|----------|-------------|
| 1 | NICKEL | BRASS | BODY |
| 1 | NATURAL | DELTRIN | INSULATOR |
| 1 | GOLD | BRASS | CONTACT PIN |

| APPROVALS | DATE |
|--------------|----------|
| DRAWN G.R.S. | 05/23/05 |
| CHECKED | |
| ISSUED | |
| SHEET 1 OF 1 | |

| | |
|--|---|
| Amphenol Connex PART DESCRIPTION BNC TERMINATOR PLUG - 50ohm PART NO. 202103 | DWG. NO. 202103.DWG REV. A SITE A SCALE NA |
|--|---|

| |
|--|
| MASS FINISH SPECIFIED IN DRAWING ARE USED UNLESS OTHERWISE SPECIFIED. ALL DIMENSIONS ARE IN MILLIMETERS UNLESS OTHERWISE SPECIFIED. DIMENSIONS FOR MILLIMETERS ARE: D.S - 30mm ± 0.20mm Ø - 30mm ± 0.40mm 3Ø - 120mm ± 0.50mm MASS FINISH SPECIFIED IN DRAWING ARE: DIMENSIONS FOR INCHES ARE: .020 - .315 = ± 0.007" .315 - 1.180 = ± 0.015" 1.180 - 4.724 = ± 0.020" DID NOT SCALE DRAWING |
|--|