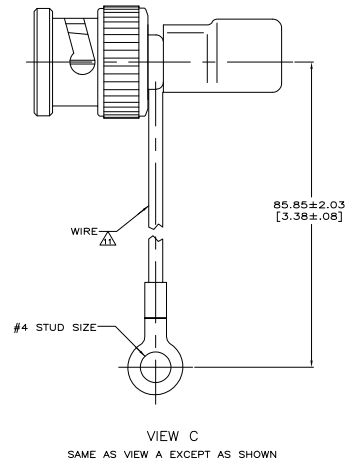
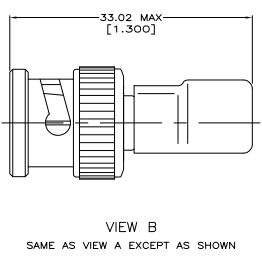
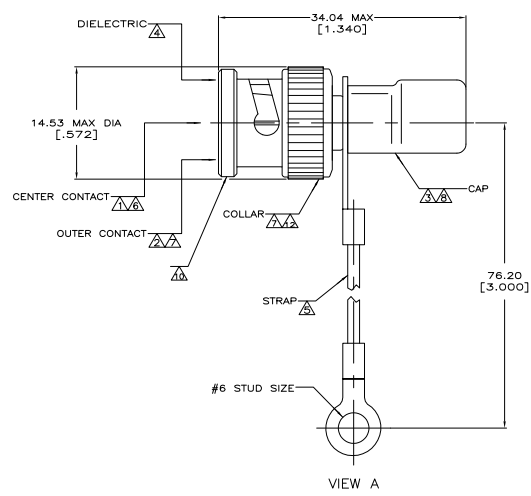


THIS DRAWING IS UNPUBLISHED. RELEASED FOR PUBLICATION BY THE ELECTRONICS CORPORATION. ALL RIGHTS RESERVED.

REV	DATE	DESCRIPTION	BY	CHK	APP
AJ	16	RELEASED			



- △ BRASS PER ASTM B 16.
- △ BRASS PER ASTM B 36.
- △ COPPER PER ASTM B 152.
- △ POLYETHYLENE PER LP-390.
- △ POLYESTER PER MIL-T-43435, COLOR NATURAL.
- △ GOLD PLATE PER ASTM B 488, 0.76 μm [.000030] MINIMUM THICK.
- △ NICKEL PLATE PER QQ-N-290, 1.27 μm [.000050] MINIMUM THICK.
- △ TIN PLATE PER ASTM B 545, 2.54 μm [.000100] MINIMUM THICK.
- △ TIN PLATE PER ASTM B 545, 3.81 μm [.000150] MINIMUM THICK.
- △ VALUE MARKED ON CONNECTOR BODY AS SHOWN (SEE TABLE).
- △ 16 GAUGE INSULATED GROUND WIRE.
- △ ZINC PER ASTM B 86.

QTY	WATT	TOLERANCE	OHM	MARKING	VIEW	PART NUMBER
1	1%	50	50Ω 1W	C		1-5221629-6
1	1%	50	50Ω 1W	B		5221629-9
1	1%	93	93Ω 1W	B		5221629-6
1	1%	75	75Ω 1W	B		5221629-5
1	1%	50	50Ω 1W	B		5221629-4
1	1%	75	75Ω 1W	A		5221629-2
1	1%	50	50Ω 1W	A		5221629-1

THIS DRAWING IS A CONTROLLED DOCUMENT. REV. 16. DATE 10/16/00. BY AJ. CHECKED BY [blank]. APPROVED BY [blank].

TERMINATOR, PLUG, COMMERCIAL ENC.

100% USE ONLY DRAWING NO. A100779G=5221629

CUSTOMER DRAWING