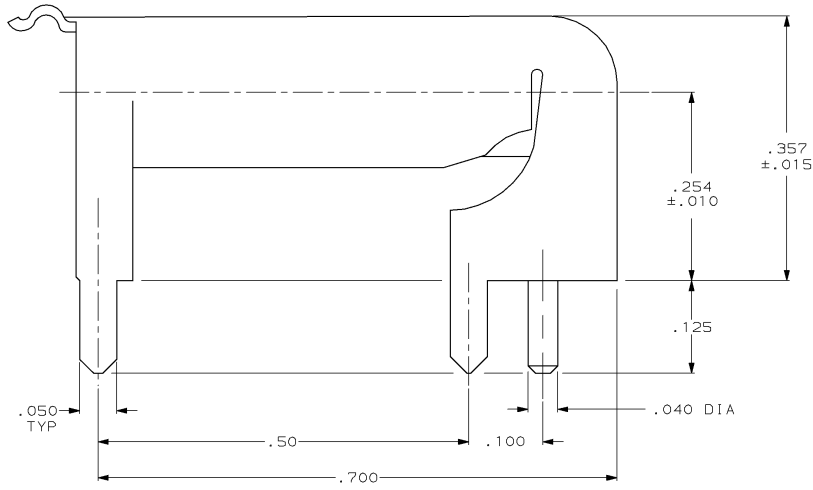
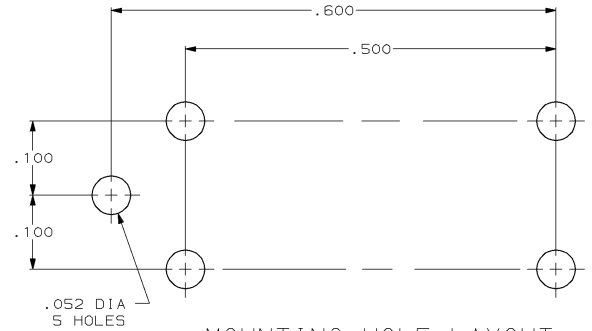
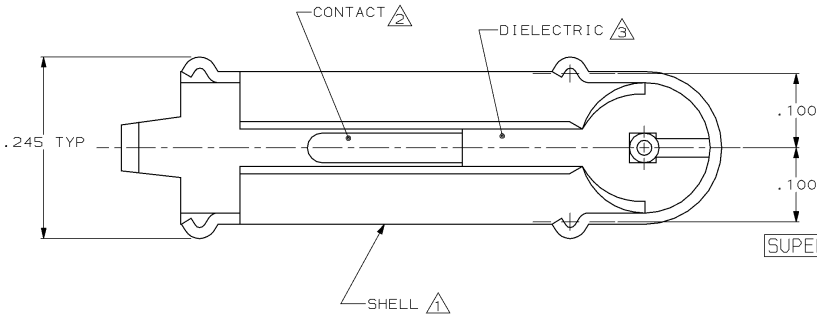


DRAWING MADE IN THIRD ANGLE PROJECTION
 THIS DRAWING IS UNPUBLISHED. RELEASED FOR PUBLICATION
 © COPYRIGHT 19 BY AMP INCORPORATED. ALL INTERNATIONAL RIGHTS RESERVED.

| LOC | DIST | P | F | ZONE | LTR | DESCRIPTION | DATE | APPD |
|-----|------|---|---|------|-----|--------------------------------------|----------|------|
| AJ | 16 | ✓ | ✓ | | K | REVISED AND REDRAWN PER AJ-4040 | 8-28-89 | JG |
| | | ✓ | ✓ | | L | OBS -2 PER AJ-3015 | 02/02/93 | JPD |
| | | | | | M | SUPERCEDED -3 BY -1 PER 0220-0416-94 | 03/06/94 | JPD |



- 1 BRASS PER MIL-C-50
- 2 BRASS PER QQ-B-626
- 3 POLYPROPYLENE, GENERAL PURPOSE.
- 4 GOLD PLATE PER MIL-G-45204, .000030 MIN THK.
- 5 GOLD PLATE PER MIL-G-45204, .000050 MIN THK.
- 6 TIN-LEAD PLATE PER ASTM-B-545.
- 7. FOR USE WITH .062 MAX PRINTED CIRCUIT BOARD.
- 8. SEE I.S. 1204.



| | | | |
|-----------------------|--------------|-------------|---------|
| SUPERCEDED BY 50107-1 | 4 | 6 | 50107-3 |
| OBSOLETE | 5 | 5 | 50107-2 |
| | 4 | 4 | 50107-1 |
| CONTACT FINISH | SHELL FINISH | PART NUMBER | |

| | | | | |
|--|--|-------------------------|--|---------------|
| DO NOT SCALE PRINT. UNLESS SPECIFIED DIMENSIONS IN INCHES TOLERANCES ON : 2 PLC DEC ± .01 3 PLC DEC ± .008 ANGLES ± - | | DR J.L. GROFT 6-30-89 | PART NO | |
| MATERIAL SEE NOTES 1 & 2 | | CHK S.J. MAGARO 9-28-89 | AMP INCORPORATED Non-Isoing, Pg. 17105 | |
| FINISH SEE TABLE | | APPD M. SNEED 1-17-90 | NAME SOCKET, PCB, LOCKING LATCH, MINIATURE | |
| APPLICATION SPEC - | | PRODUCT SPEC 108-12081 | SIZE C | FSCM NO 00779 |
| WEIGHT - | | SCALE 10:1 | DRAWING NO 50107 | SHEET 1 OF 1 |

CUSTOMER DRAWING