

4

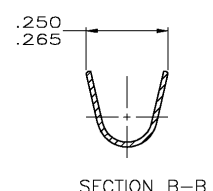
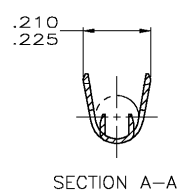
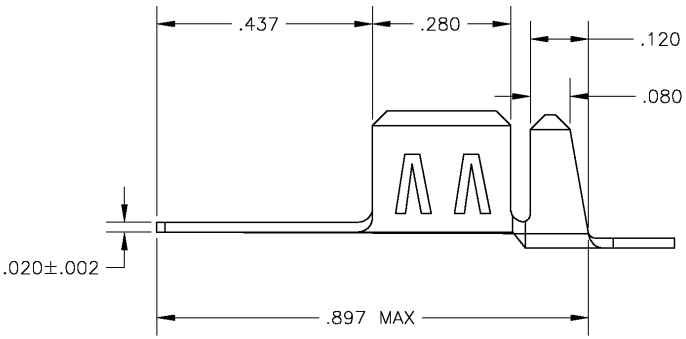
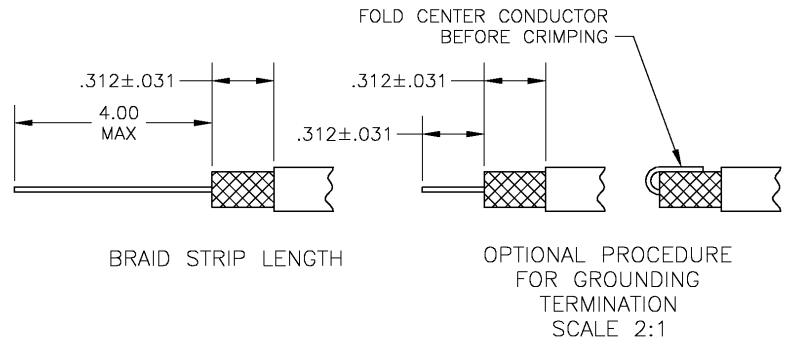
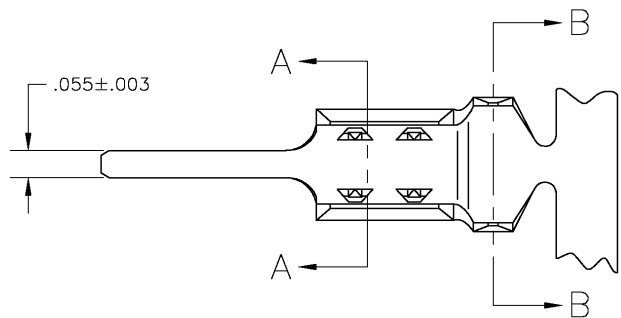
3

2

1

THIS DRAWING IS UNPUBLISHED. RELEASED FOR PUBLICATION
 © COPYRIGHT - BY TYCO ELECTRONICS CORPORATION. ALL RIGHTS RESERVED.

LOC	DIST	REVISIONS			
P	LTR	DESCRIPTION	DATE	DWN	APVD
AJ	16	REV PER 0514-0114-04	04-26-04	JDP	DPG



- FOR USE WITH RG 58/U L CABLE.
 - FOR USE WITH .062 DIA. BOARD HOLE.
- TIN-LEAD PLATE PER ASTM B-545
 TIN PLATE PER ASTM B-545

	9-226854-0
	226854-1
FINISH	PART NUMBER

THIS DRAWING IS A CONTROLLED DOCUMENT.		DWN	T SMITH	10-04-83	Tyco Electronics Corporation Harrisburg, PA 17105-3608								
DIMENSIONS: INCHES		CHK	C.E.	10-04-85									
TOLERANCES UNLESS OTHERWISE SPECIFIED:		APVD	R.K.	10-04-85									
0 PLC ± - 1 PLC ± - 2 PLC ± - 3 PLC ± .008 4 PLC ± - ANGLES ± -		NAME	COAXIAL PCB TERMINAL, PICK CRIMP TYPE Braid-PIC										
MATERIAL	BRASS, ASTM B 36	FINISH			SIZE	A3	CAGE CODE	00779	DRAWING NO	226854	RESTRICTED TO	-	
CUSTOMER DRAWING						SCALE	5:1	SHEET	1	OF	1	REV	A

AMP 1470-19 REV 31MAR2000