

4

3

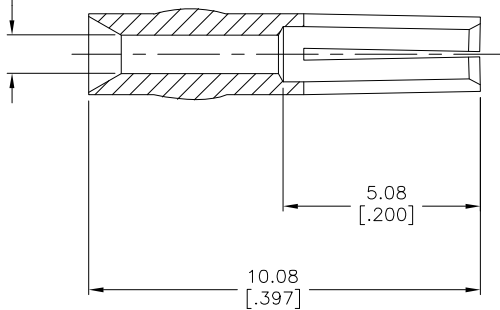
2

1

THIS DRAWING IS UNPUBLISHED. RELEASED FOR PUBLICATION  
 © COPYRIGHT - BY TYCO ELECTRONICS CORPORATION. ALL RIGHTS RESERVED.

LOC	DIST	REVISIONS				
P	LTR	DESCRIPTION	DATE	DWN	APVD	
AJ	16	H	REVISED PER ECO-06-005598	14MAR2006	KS	JL

ØA ±0.03 [.001]



- △1 BERYLLIUM COPPER PER QQ-C-530
- △2 GOLD PLATE PER MIL-G-45204, 1.27µm [.000050] MIN THICKNESS
- △3 GOLD PLATE PER MIL-G-45204, 0.76µm [.000030] MIN THICKNESS
- △4 GOLD PLATE PER MIL-G-45204, 2.54µm [.000100] MIN THICKNESS
- △5 SILVER PLATE PER QQ-S-365, 2.54µm [.000100] MIN THICKNESS
- △6 GOLD PLATE PER MIL-G-45204 1.27µm [.000050] MIN THK OVER COPPER PLATE PER MIL-C-14550A 2.54µm [.000100] MIN THK

0.99 [.039]	△6	2-331369-6
0.99 [.039]	△2	2-331369-5
1.09 [.043]	△4	2-331369-4
0.99 [.039]	△4	2-331369-3
0.99 [.039]	△5	2-331369-2
1.09 [.043]	△3	1-331369-7
0.99 [.039]	△3	1-331369-6
1.09 [.043]	△2	1-331369-2
0.99 [.039]	△2	331369
A	FINISH	PART NUMBER

THIS DRAWING IS A CONTROLLED DOCUMENT.		DWN S.J.MAGARO 9-20-89	Tyco Electronics Corporation Harrisburg, PA 17105-3608	
DIMENSIONS: mm [INCHES]		CHK R.RUTH 10-5-89		
TOLERANCES UNLESS OTHERWISE SPECIFIED:		APVD M.PHILLIPS 10-9-89	NAME	
0 PLC ± -		PRODUCT SPEC		
1 PLC ± -		APPLICATION SPEC		
2 PLC ± 0.13 [.005]		SIZE CAGE CODE DRAWING NO		
3 PLC ± -		RESTRICTED TO		
4 PLC ± -		WEIGHT		
ANGLES ± -		A3 00779 C-331369		
MATERIAL	FINISH	CUSTOMER DRAWING		
SEE NOTES	SEE NOTES	SCALE 10:1 SHEET 1 OF 1 REV H		

AMP 1470-19 REV 31MAR2000

15MAR2006 7:47am us026463

\\Us194fp00\data\RF\Prod\_enq\Schrum\Lippert\ECO-06-005598\331369-c\_1.dwg