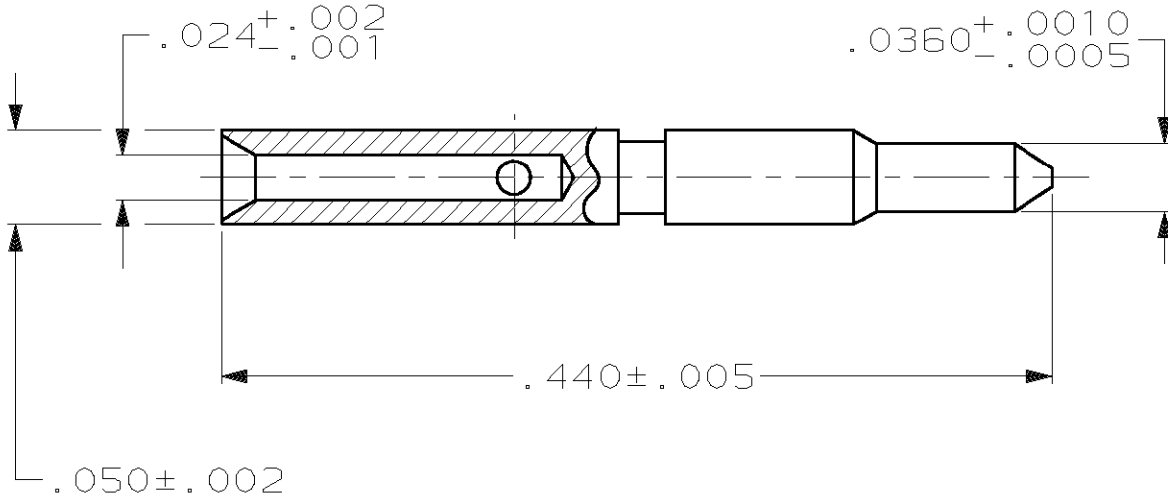




LOC AJ	DIST 16	P	F	REVISIONS		
			LTR	DESCRIPTION	DATE	APPROVED
			A	REV PER OU20-0171-99	10NOV99	M0



THIS DRAWING IS UNPUBLISHED. BY AMP INCORPORATED. ALL INTERNATIONAL RIGHTS RESERVED. ,19

© COPYRIGHT 19

447869-2
PART NUMBER

PART NO

DO NOT SCALE PRINT.
UNLESS SPECIFIED
DIMENSIONS IN INCHES
TOLERANCES ON:
2 PLC DEC ± -
3 PLC DEC ± -
ANGLES ± -

MATERIAL
BRASS
PER QQ-B-626

FINISH
GOLD
PER MIL-G-45204

DR 5-10-91
M.E.PASTAL

CHK -

APPD -

APPD -

PRODUCT SPEC

-

APPLICATION SPEC

-

WEIGHT -



AMP Incorporated
Harrisburg, PA 17105-3608

NAME
CONTACT, PLUG, SMA

SIZE A	CAGE CODE 00779	DRAWING NO 447869-2
-----------	--------------------	------------------------

SCALE 10:1	SHEET 1 OF 1
---------------	-----------------

