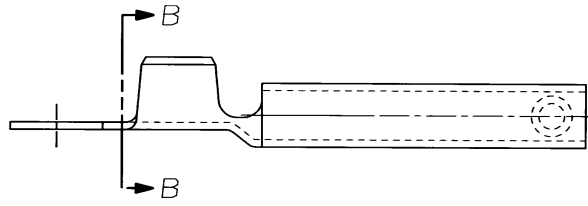
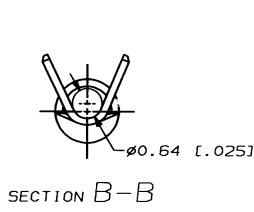
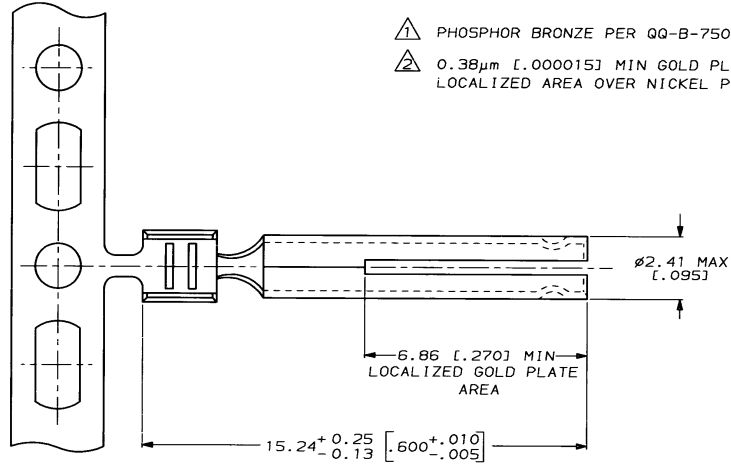


DRAWING MADE IN THIRD ANGLE PROJECTION  
 THIS DRAWING IS UNPUBLISHED. RELEASED FOR PUBLICATION  
 © COPYRIGHT 19 BY AMP INCORPORATED. ALL INTERNATIONAL RIGHTS RESERVED.

LOC	DIST	P	F	ZONE	LTR	REVISIONS	DATE	APPD
AJ	16					0 REL PER 92-3338-015	12-2-92	MS
						A REVISED PER 0220-0088-93	8-24-93	JG



414478-2  
 PART NUMBER

DO NOT SCALE PRINT. UNLESS SPECIFIED DIMENSIONS IN INCHES TOLERANCES ON:		DR	6-4-92	AMP INCORPORATED Harrisburg, Pa. 17105	
1 PLC DEC $\pm$ -		CHK	M. SNEED	6-4-92	
2 PLC DEC $\pm$ -		APPD	J. DUNBAR	12-2-92	NAME
3 PLC DEC $\pm$ 0.20 [0.008]		APPD	J. DUNBAR	12-2-92	
ANGLES $\pm$ -		APPD	M. SNEED	12-2-92	
MATERIAL	$\triangle 1$	PRODUCT SPEC	-		CONTACT, JACK, MINIATURE UHF
FINISH	$\triangle 2$	APPLICATION SPEC	-	SIZE	CAGE CODE
		WEIGHT	-	C	00779
				SCALE	10:1
				DRAWING NO	414478
				SHEET	1 OF 1

AMP 1471-6 REV 6-85  
 24 AUG 1993 15:36:02 AMP03419

CUSTOMER DRAWING