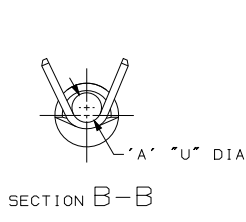
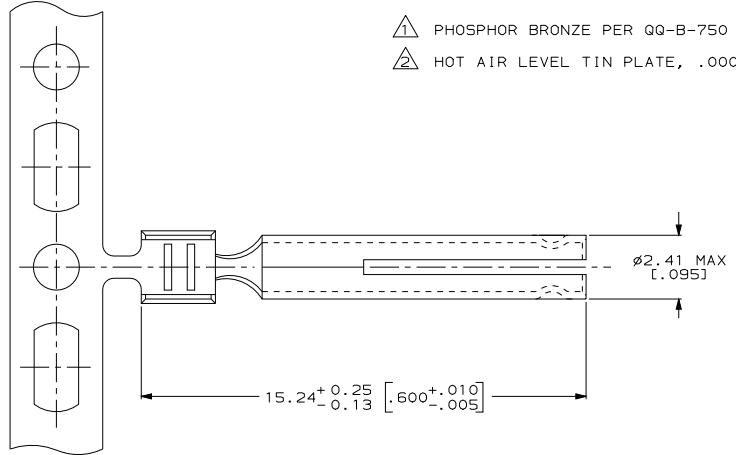


DRAWING MADE IN THIRD ANGLE PROJECTION
 THIS DRAWING IS UNPUBLISHED. RELEASED FOR PUBLICATION, 19
 © COPYRIGHT 19 BY AMP INCORPORATED. ALL INTERNATIONAL RIGHTS RESERVED.

LOC	DIST	P	F	ZONE	LTR	REVISIONS	DATE	APPD
AJ	16	✓	✓		B	REDWN ON CAD & REL -3 PER 89-3338-001	11-3-89	DL
		✓	✓		C	REVISED PER AJ-4963	11-1-90	JG
		✓	✓		D	REVISED PER 0220-0088-93	8-24-93	JG



0.64 [.025]	226853-3
1.02 [.040]	226853-2
'A' DIA	PART NUMBER

		PART NO	
DO NOT SCALE PRINT. UNLESS SPECIFIED DIMENSIONS IN INCHES TOLERANCES ON : 2 PLC DEC ± - 3 PLC DEC ± .008 ANGLES ± -	DR D. LAMAN 11-3-89	AMP INCORPORATED Murrumbidgee, Pa. 17105	
	CHK R. E. RUTH 12/4/89	NAME	
	APPD R. HENRY 12/4/89	JACK CONTACT, MINIATURE UHF	
MATERIAL 1	APPD R. E. RUTH 12/4/89	PRODUCT SPEC	
FINISH 2	APPLICATION SPEC	SIZE C	CAGE CODE 00779
	WEIGHT	DRAWING NO 226853	SHEET 1 OF 1
		SCALE 10:1	

AMP 1471-6 REV 6-89
 24 AUG 1993 15:05:34 AMP03419

CUSTOMER DRAWING

226853