



INCHES (MILLIMETERS)  
CUSTOMER DRAWINGS AVAILABLE UPON REQUEST

---

CP-AD103	9	CP-AD807	3
CP-AD104	9	CP-AD808	7
CP-AD105	9	CP-AD809	3
CP-AD106	9	CP-AD810	7
CP-AD107	9	CP-AD811	9
CP-AD151	9	CP-AD817	7
CP-AD152	9	CP-AD818	7
CP-AD153	9	CP-AD819	7
CP-AD212	9	CP-AD820	6
CP-AD213	8	BNC Jack to N Jack	3
CP-AD214	8	BNC Jack to N Plug	3
CP-AD215	8	BNC Jack to SMA Jack	2
CP-AD217	8	BNC Jack to SMA Plug	2
CP-AD218	9	BNC Jack to TNC Plug	3
CP-AD219	8	BNC Plug to N Jack	3
CP-AD220	8	BNC Plug to SMA Jack	2
CP-AD275	5	BNC Plug to SMA Plug	2
CP-AD300	3	BNC Plug to TNC Jack	3
CP-AD301	6	BNC to F	4
CP-AD302	6	BNC to Mini-UHF	4
CP-AD303	6	BNC to RCA	4
CP-AD304	6	BNC to UHF	4
CP-AD305	6	F to European type connectors	9
CP-AD311	5	F to N	9
CP-AD312	5	F to P3.5MM	9
CP-AD313	5	F to RCA	9
CP-AD314	3	F to UHF	9
CP-AD500	4	N Jack to SMA Jack	7
CP-AD501	4	N Jack to SMA Plug	7
CP-AD502	4	N Plug to SMA Jack	7
CP-AD504	4	N Plug to SMA Plug	7
CP-AD507	2	N to UHF	7
CP-AD508	2	RCA to P3.5MM	9
CP-AD509	4	TNC Jack to SMA Jack	5
CP-AD512	4	TNC Jack to SMA Plug	5
CP-AD515	4	TNC Plug to N Jack	6
CP-AD516	4	TNC Plug to SMA Jack	5
CP-AD517	4	TNC Plug to SMA Plug	5
CP-AD582	2	TNC to Mini-UHF	6
CP-AD583	2	TNC to UHF	6
CP-AD805	7	UHF to Mini-UHF	8
CP-AD806	3	UHF to RCA	8
		UHF to SMA	8

# Between Series Adapters

BNC to SMA

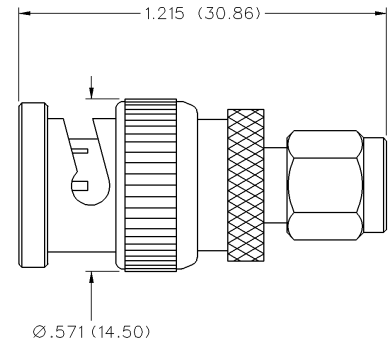


INCHES (MILLIMETERS)  
CUSTOMER DRAWINGS AVAILABLE UPON REQUEST

## BNC Plug to SMA Plug



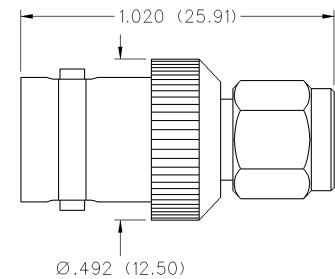
CP-AD582



## BNC Jack to SMA Plug



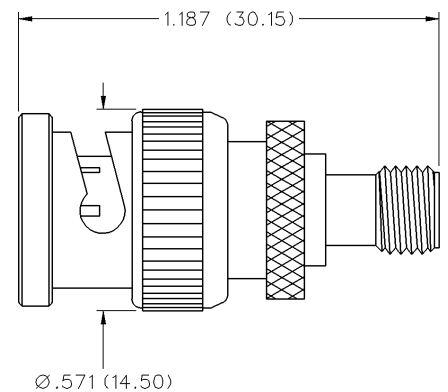
CP-AD508



## BNC Plug to SMA Jack



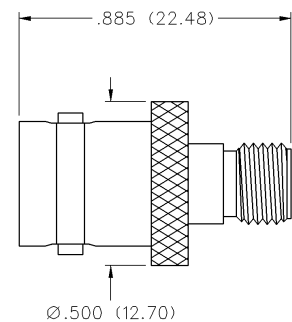
CP-AD583



## BNC Jack to SMA Jack

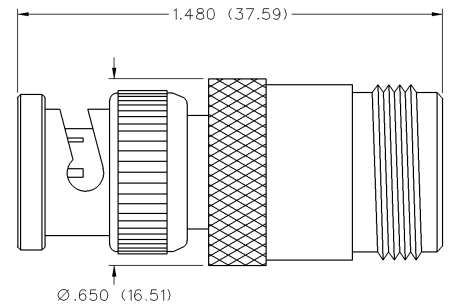


CP-AD507



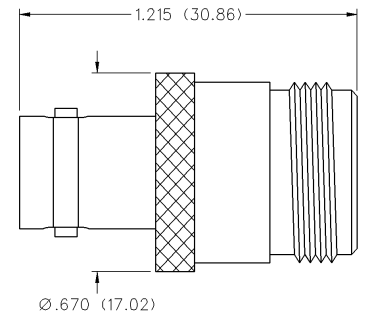
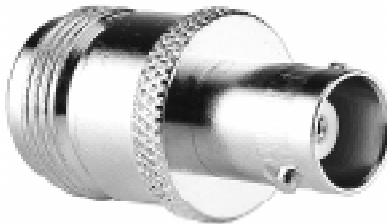
INCHES (MILLIMETERS)  
CUSTOMER DRAWINGS AVAILABLE UPON REQUEST

## BNC Plug to N Jack



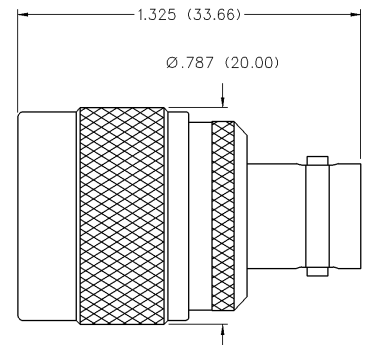
CP-AD807

## BNC Jack to N Jack



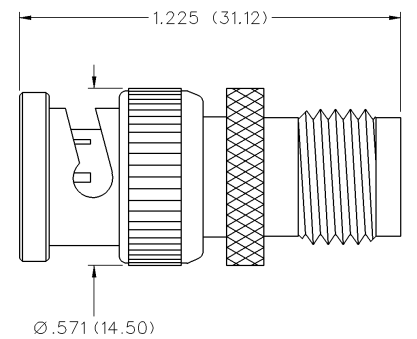
CP-AD806

## BNC Jack to N Plug



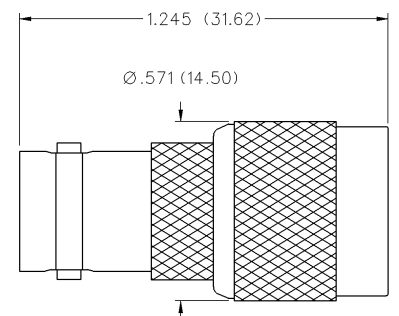
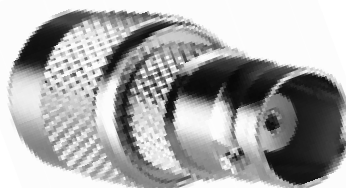
CP-AD809

## BNC Plug to TNC Jack



CP-AD314

## BNC Jack to TNC Plug



CP-AD300

# Between Series Adapters

BNC to F, BNC to RCA, BNC to UHF, BNC to Mini-UHF

## BNC to F

**BNC Jack to F Plug  
Adapter**



CP-AD502

**BNC Plug to F Jack  
Adapter**



CP-AD516

## BNC to RCA

**BNC Jack to RCA Plug  
Adapter**



CP-AD501

**BNC 50 Ohm Plug to  
RCA Jack Adapter**



CP-AD515

**BNC 75 Ohm Plug to  
RCA Jack Adapter**



CP-AD517

## BNC to UHF

**BNC Jack to UHF Plug  
Adapter**



CP-AD500

**BNC Plug to UHF Jack  
Adapter**



CP-AD512

**BNC Jack to UHF Jack  
Adapter**



CP-AD504

## BNC to Mini-UHF

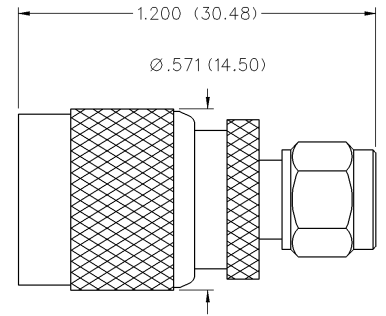
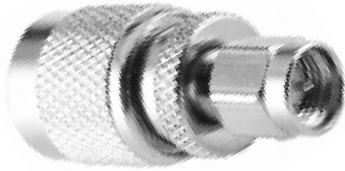
**BNC Jack to  
Mini-UHF Plug  
Adapter**



CP-AD509

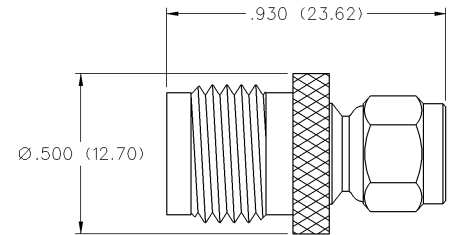
INCHES (MILLIMETERS)  
CUSTOMER DRAWINGS AVAILABLE UPON REQUEST

## TNC Plug to SMA Plug



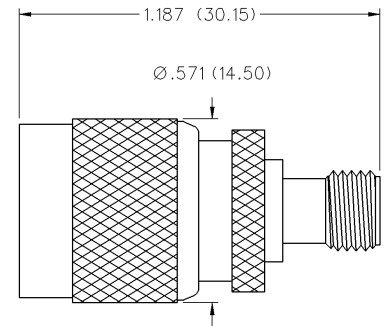
CP-AD311

## TNC Jack to SMA Plug



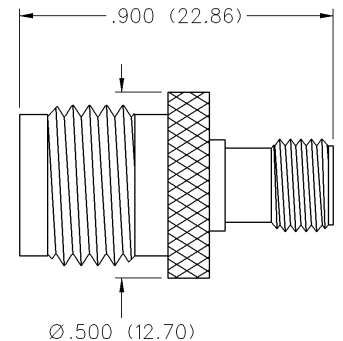
CP-AD312

## TNC Plug to SMA Jack



CP-AD313

## TNC Jack to SMA Jack



CP-AD275

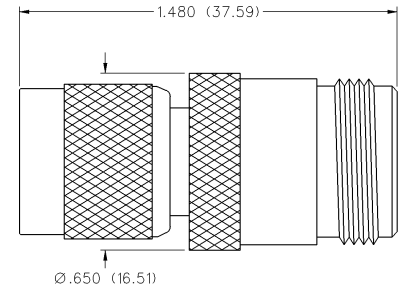
# Between Series Adapters

TNC to UHF, TNC to Mini-UHF



INCHES (MILLIMETERS)  
CUSTOMER DRAWINGS AVAILABLE UPON REQUEST

## TNC Plug to N Jack



CP-AD820

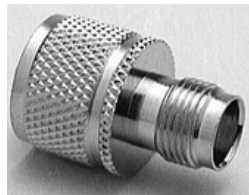
## TNC to UHF

**TNC Plug to UHF Jack Adapter**



CP-AD301

**TNC Jack to UHF Plug Adapter**



CP-AD304

## TNC to Mini-UHF

**TNC Jack to Right Angle Mini-UHF Plug Adapter**



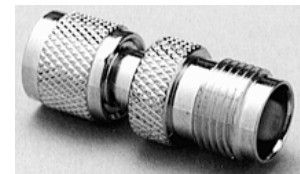
CP-AD303

**TNC Plug to Mini-UHF Jack Adapter**



CP-AD302

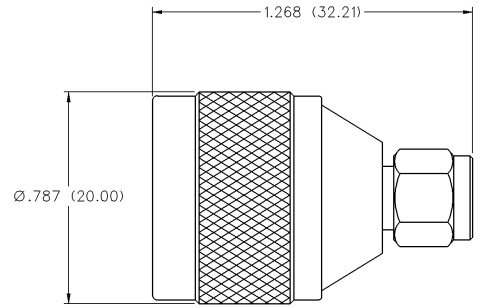
**TNC Jack to Mini-UHF Plug Adapter**



CP-AD305

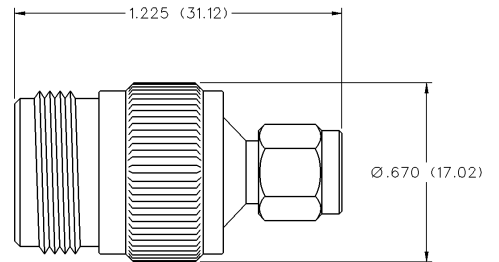
INCHES (MILLIMETERS)  
CUSTOMER DRAWINGS AVAILABLE UPON REQUEST

## N Plug to SMA Plug



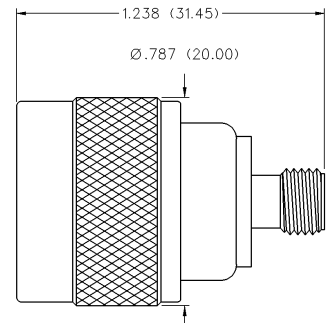
CP-AD817

## N Jack to SMA Plug



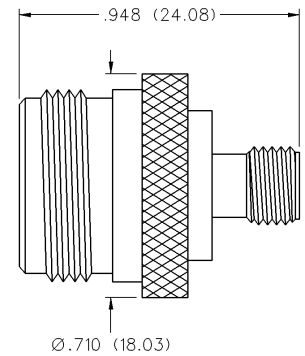
CP-AD818

## N Plug to SMA Jack



CP-AD810

## N Jack to SMA Jack



CP-AD819

## N to UHF

### N Jack to UHF Plug Adapter



CP-AD805

### N Plug to UHF Jack Adapter



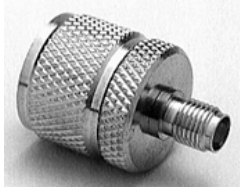
CP-AD808

# Between Series Adapters

UHF to SMA, UHF to RCA, UHF to Mini-UHF

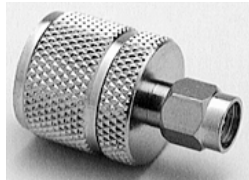
## UHF to SMA

**UHF Plug to SMA Jack  
Adapter**



CP-AD215

**UHF Plug to SMA Plug  
Adapter**



CP-AD220

## UHF to RCA

**UHF Plug to RCA Jack  
Adapter**



CP-AD217

**UHF Jack to RCA Plug  
Adapter**



CP-AD213

## UHF to Mini-UHF

**UHF Jack to Mini UHF Plug  
Adapter**



CP-AD214

**UHF Plug to Mini UHF Jack  
Adapter**



CP-AD219



## F to N

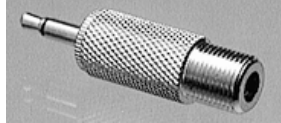
**F Jack to N Plug  
Adapter**



CP-AD811

## F to P3.5MM

**F Jack to P3.5MM Plug  
Adapter**



CP-AD107

## F to UHF

**F Jack to UHF Plug  
Adapter**



CP-AD218

**F Plug to UHF Jack**



CP-AD212

## F to RCA

**F Plug to RCA Jack  
Adapter**



CP-AD106

**F Jack to RCA Plug  
Adapter**



CP-AD103

**F Jack to RCA Jack  
Adapter**



CP-AD105

## F to European type connectors

**F Jack to European Plug  
Adapter**



CP-AD151

**F Plug to European Jack  
Adapter**



CP-AD152

**F Jack to European Jack  
Adapter**



CP-AD153

## RCA to P3.5MM

**RCA Jack to P3.5MM  
Plug Adapter**



CP-AD104