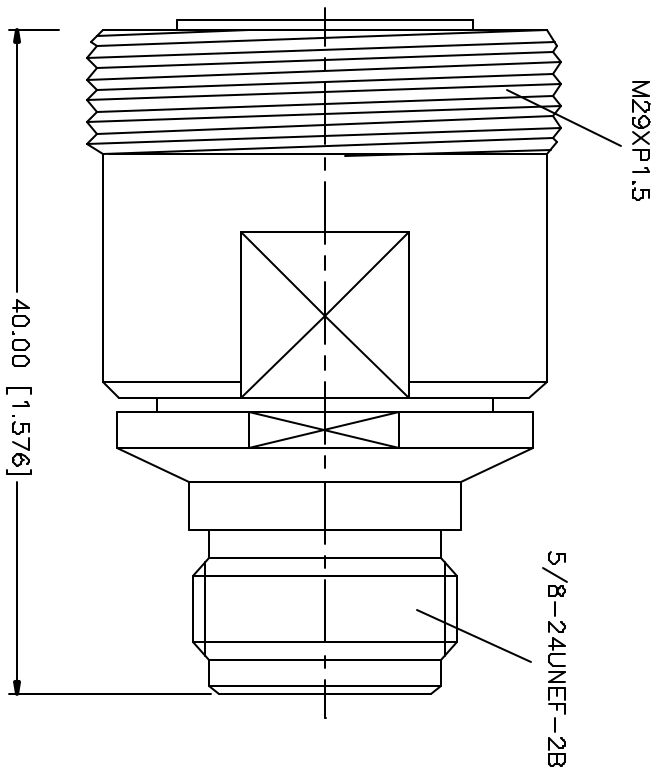


REV.	DATE	DESCRIPTION
NC	06/13/99	INITIAL RELEASE
A	05/22/05	UPDATE DRAWING FORMAT / MODIFY PLATING SPEC



REV.	DESCRIPTION	MATERIAL	FINISH	QTY	UNLESS OTHERWISE SPECIFIED DIMENSIONS ARE IN INCHES AND FOR DIMENSIONS NOTED OTHERWISE, TOLERANCES ARE:	APPROVALS	DATE	PART DESCRIPTION			
8					UNLESS OTHERWISE SPECIFIED DIMENSIONS ARE IN INCHES AND FOR DIMENSIONS NOTED OTHERWISE, TOLERANCES ARE:			<p style="text-align: center;"><b>Amphenol Connex</b></p> <p style="text-align: center;">N JACK TO 7/16 JACK</p>			
7					UNLESS OTHERWISE SPECIFIED DIMENSIONS ARE IN INCHES AND FOR DIMENSIONS NOTED OTHERWISE, TOLERANCES ARE:	DRAWN	05/22/05				
6					UNLESS OTHERWISE SPECIFIED DIMENSIONS ARE IN INCHES AND FOR DIMENSIONS NOTED OTHERWISE, TOLERANCES ARE:	CHECKED					
5					UNLESS OTHERWISE SPECIFIED DIMENSIONS ARE IN INCHES AND FOR DIMENSIONS NOTED OTHERWISE, TOLERANCES ARE:	ISSUED					
4					UNLESS OTHERWISE SPECIFIED DIMENSIONS ARE IN INCHES AND FOR DIMENSIONS NOTED OTHERWISE, TOLERANCES ARE:	SHEET	1 OF 1				
3	CONTACT PIN	BER. COPPER	SILVER	1	UNLESS OTHERWISE SPECIFIED DIMENSIONS ARE IN INCHES AND FOR DIMENSIONS NOTED OTHERWISE, TOLERANCES ARE:	DWD FILE					
2	INSULATOR	TEFLON	NATURAL	1	UNLESS OTHERWISE SPECIFIED DIMENSIONS ARE IN INCHES AND FOR DIMENSIONS NOTED OTHERWISE, TOLERANCES ARE:	C:/242/242137.DWG					
1	BODY	BRASS	NICKOITE	1	UNLESS OTHERWISE SPECIFIED DIMENSIONS ARE IN INCHES AND FOR DIMENSIONS NOTED OTHERWISE, TOLERANCES ARE:	DWG. NO.	242137.DWG				
	DESCRIPTION	MATERIAL	FINISH	QTY	DO NOT SCALE DRAWING	REV.	A	SIZE	A	SCALE	NA