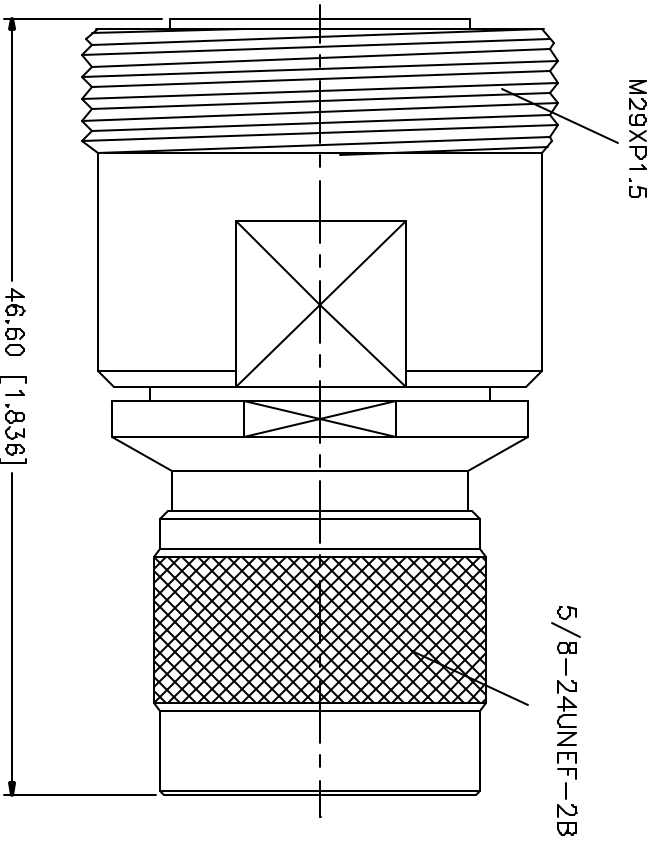


REV.	DATE	DESCRIPTION
NC	06/13/99	INITIAL RELEASE
A	05/22/05	UPDATE DRAWING FORMAT / MODIFY PLATING SPEC



REV.	DATE	DESCRIPTION	MATERIAL	FINISH	QTY
8					
7					
6					
5					
4					
3					
2					
1					
<p>UNLESS OTHERWISE SPECIFIED DIMENSIONS ARE IN INCHES AND FOR DIMENSIONS REFER TO: ENVI.</p> <p>TOLERANCES FOR UNLESS OTHERWISE SPECIFIED:</p> <p>FRACTIONS: ± 0.001mm</p> <p>DECIMALS: ± 0.015mm</p> <p>ANGLES: ± 0.007°</p> <p>PLACES: ± 0.015mm</p> <p>UNLESS OTHERWISE SPECIFIED DIMENSIONS FOR FINISH ARE:</p> <p>0.25 - 8mm ± 0.20mm</p> <p>8 - 30mm ± 0.40mm</p> <p>30 - 120mm ± 0.50mm</p> <p>1.180 - 4.724 = ± 0.025"</p>					
<p>APPROVALS</p> <p>DATE</p> <p>DRAWN G.R.S. 05/22/05</p> <p>CHECKED</p> <p>BRUED</p> <p>SHEET 1 OF 1</p> <p>QDD FILE C:/242/242135.DWG</p> <p>DWG NO. 242135.DWG</p> <p>REV. A</p> <p>SIZE A</p> <p>SCALE NA</p>					
<p><b>Amphenol Connex</b></p> <p>PART DESCRIPTION</p> <p>N PLUG TO 7/16 JACK</p> <p>PART NO. 242135</p>					
<p>DESCRIPTION</p> <p>MATERIAL</p> <p>FINISH</p> <p>QTY</p>					