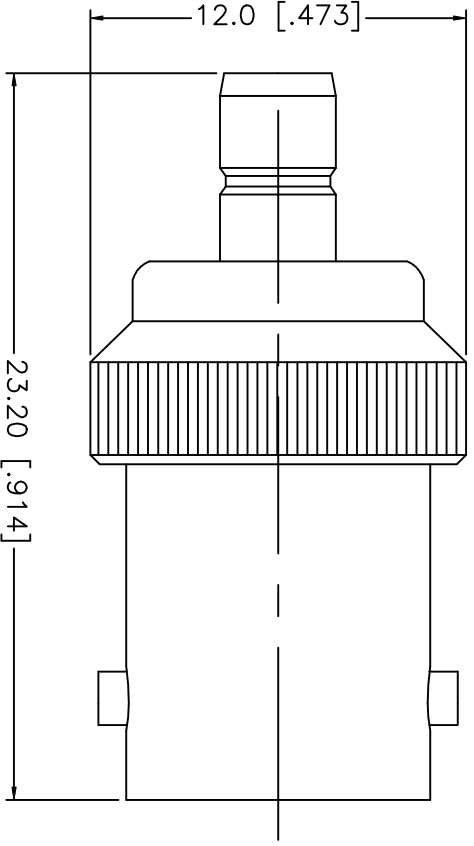


REV.	DATE	DESCRIPTION
NC	04/09/02	INITIAL RELEASE



8				UNLESS OTHERWISE SPECIFIED DIMENSIONS ARE IN MILLIMETERS		APPROVALS		DATE	Amphenol - Connex CONNECTOR CORPORATION TITLE BNC JACK TO SMB JACK ADAPTOR			REV.			
7				DIMENSIONS IN [] ARE IN INCHES FOR CUSTOMER REFERENCE ONLY		DRAWN	G.R.S.	04/09/02				SIZE	FSCM NO.	DWG. NO.	NC
6				UNLESS OTHERWISE SPECIFIED TOLERANCES FOR INCHES ARE:		CHECKED						A	99001	242186.DWG	
5				.XXX = ± 0.005" .XX = ± 0.010" .X = ± 0.020"		ISSUED						SCALE	NA	PART NO.	242186
4	CONTACT PIN	PHOS. BRONZE	GOLD	DO NOT SCALE DRAWING								SHEET			
3	INSULATOR	TEFLON	NATURAL									1 OF 1			
2	SMB BODY	BRASS	GOLD												
1	BNC BODY	BRASS	NICKEL												
	DESCRIPTION	MATERIAL	FINISH												