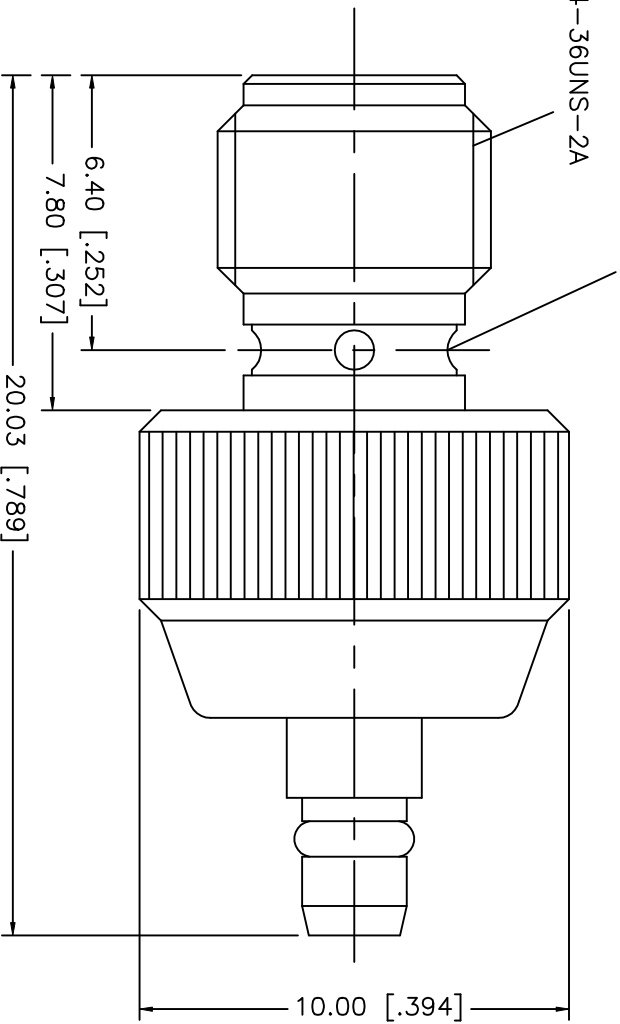


REV.	DATE	DESCRIPTION
NC	09/22/02	INITIAL RELEASE

STAKE IN 4 PLACES  
EQUALLY SPACED 90° APART

1/4-36UNS-2A



8											
7											
6											
5	RETAINER RING	BER. COPPER	GOLD								
4	CONTACT PIN	BER. COPPER	GOLD								
3	INSULATOR	TEFLON	NATURAL								
2	BODY	BRASS	GOLD								
1	HOUSING	BRASS	GOLD								
	DESCRIPTION	MATERIAL	FINISH								

UNLESS OTHERWISE SPECIFIED DIMENSIONS ARE IN MILLIMETERS		APPROVALS		DATE		TITLE	
DIMENSIONS IN [ ] ARE IN INCHES FOR CUSTOMER REFERENCE ONLY		DRAWN G.R.S.		09/22/02		SMA JACK TO MMCX PLUG ADAPTER	
UNLESS OTHERWISE SPECIFIED TOLERANCES FOR INCHES ARE: .XXX = ± 0.005" .XX = ± 0.010" .X = ± 0.020"		CHECKED				FSOM NO. 99001	
DO NOT SCALE DRAWING		ISSUED				DWC. NO. 242141	
						REV. NC	

<b>Amphenol – Connex</b>	
CONNECTOR CORPORATION	
SIZE A	SCALE NA
PART NO. 242141	SHEET 1 OF 1