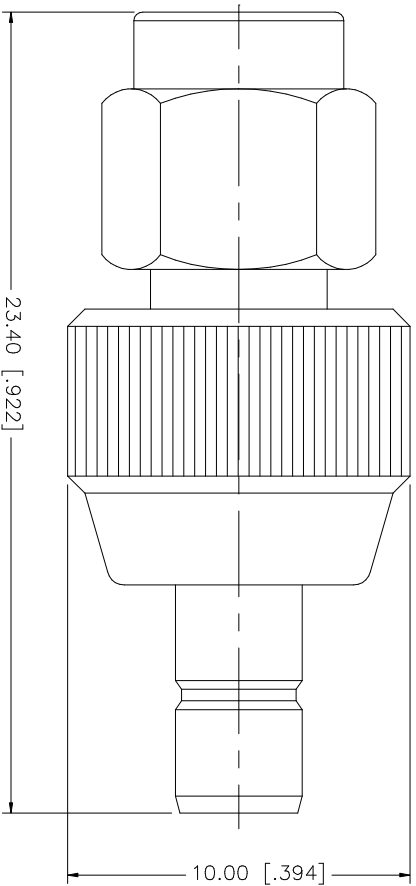


REV.	DATE	DESCRIPTION
A	01/30/04	UPDATE DRAWING FORMAT
B	06/21/05	MODIFY PART DESCRIPTION



QTY	FINISH	MATERIAL	DESCRIPTION
1	GOLD	BRASS	CONTACT PIN
1	NATURAL	TEFLON	INSULATOR
1	GOLD	BRASS	BODY
			DESCRIPTION

UNLESS OTHERWISE SPECIFIED, DIMENSIONS ARE IN INCHES AND FOR CUSTOMER REFERENCE ONLY.	
UNLESS OTHERWISE SPECIFIED, DIMENSIONS ARE IN MILLIMETERS AND FOR CUSTOMER REFERENCE ONLY.	
UNLESS OTHERWISE SPECIFIED	TOLERANCES FOR MILLIMETERS ARE:
0.5 - 8mm	± 0.20mm
8 - 30mm	± 0.40mm
30 - 120mm	± 0.50mm
UNLESS OTHERWISE SPECIFIED	TOLERANCES FOR INCHES ARE:
.020 - .315	± 0.007"
.315 - 1.180	± 0.015"
1.180 - 4.724	± 0.020"
DO NOT SCALE DRAWING	

APPROVALS	DATE
DRAWN G.R.S.	06/21/05
CHECKED	
ISSUED	
SHEET 1 OF 1	

CAD FILE	C:/242/242144.DWG
DWG. NO.	242144.DWG
REV.	B
SIZE	A
SCALE	NA

Amphenol Connex	
PART DESCRIPTION	
SMA PLUG TO SMB JACK ADAPTER	
PART NO.	242144