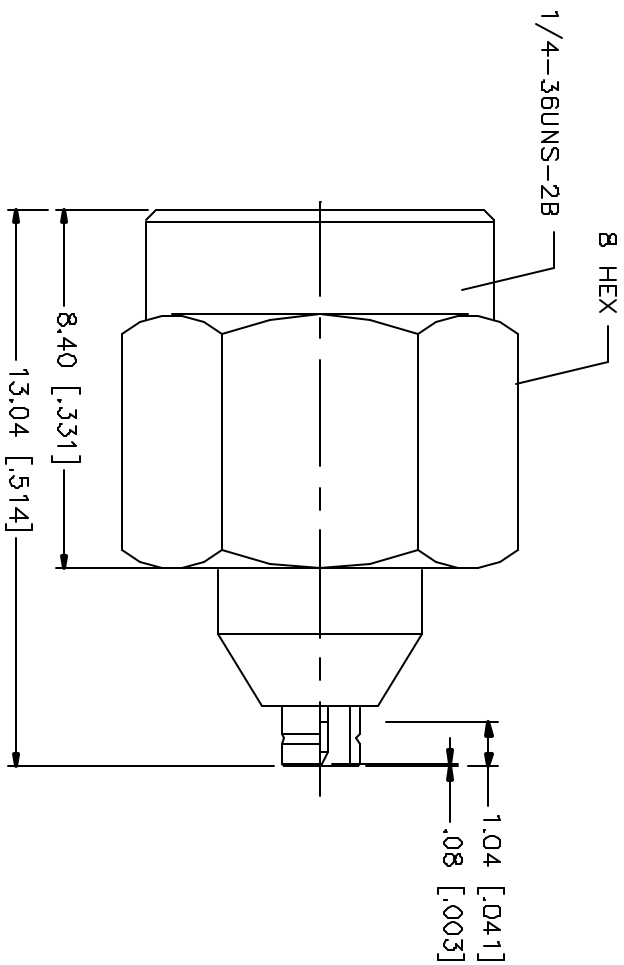


REV.	DATE	DESCRIPTION
A	10/03/04	MODIFY BODY



REV.	DATE	DESCRIPTION
B		
7		
6		
5		
4		
3		
2		
1		
DESCRIPTION		
MATERIAL		
FINISH		
QTY		
<p>ALL DIMENSIONS SHOWN UNLESS OTHERWISE SPECIFIED ARE IN MILLIMETERS. DIMENSIONS IN PARENTHESES ARE IN INCHES AND ARE CURRENT REFERENCE DATA.</p> <p>UNLESS OTHERWISE SPECIFIED TOLERANCES FOR MILLIMETERS ARE: D15 - 30mm ± 0.20mm 8 - 30mm ± 0.40mm 30 - 120mm ± 0.50mm</p> <p>UNLESS OTHERWISE SPECIFIED TOLERANCES FOR INCHES ARE: .020 - .315 ± 0.007" .315 - 1.180 ± 0.015" 1.180 - 4.724 ± 0.020"</p> <p>DO NOT SCALE DRAWING</p>		
APPROVALS		DATE
DRAWN	G.R.S.	10/03/04
CHECKED		
ISSUED		
SHEET	1 OF 1	
CAD FILE C:/242/242212.DWG		
<p>Amphenol Connex</p> <p>PART DESCRIPTION SMA PLUG WITH AMC JACK ADAPTER</p> <p>PART NO. 242212</p>		
DWG. NO.	242212.DWG	REV. A
REV.	A	SIZE A
SCALE	NA	