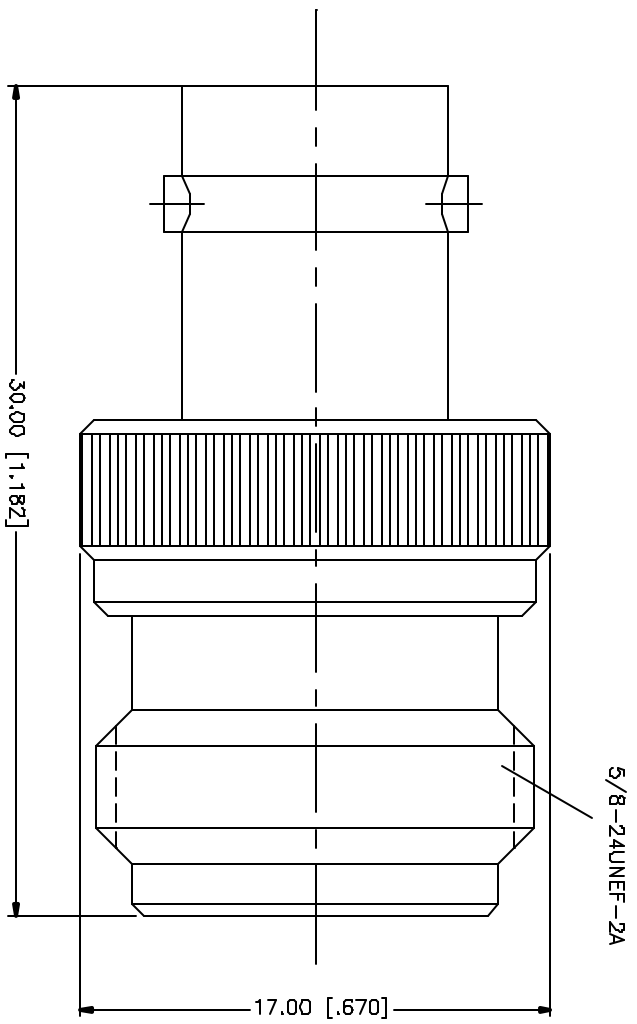


| REV. | DATE | DESCRIPTION |
|------|----------|-----------------------|
| A | 03/27/05 | UPDATE DRAWING FORMAT |



| REV. | DESCRIPTION | MATERIAL | FINISH | QTY | UNIT PRICE | TOTAL PRICE |
|------|-------------|--------------|---------|-----|------------|-------------|
| B | | | | | | |
| 7 | | | | | | |
| 6 | | | | | | |
| 5 | | | | | | |
| 4 | | | | | | |
| 3 | CONTACT PIN | PHOS. BRONZE | COLD | 1 | | |
| 2 | INSULATOR | TEFLON | NATURAL | 1 | | |
| 1 | BODY | BRASS | NICKEL | 1 | | |
| | DESCRIPTION | | | | | |

| | | |
|--|-----------|----------|
| UNITS: MILLIMETER DIMENSIONS IN PARENTHESES ARE IN INCHES AND FOR CUSTOMER REFERENCE ONLY. | APPROVALS | DATE |
| TOLERANCES UNLESS OTHERWISE SPECIFIED: | DRAWN | 03/27/05 |
| 0.2 - 0.01mm ± 0.20mm | C.R.S. | |
| B - 30mm ± 0.40mm | CHECKED | |
| 30 - 120mm ± 0.50mm | ISSUED | |
| UNLESS OTHERWISE SPECIFIED: | SHEET | 1 OF 1 |
| TOLERANCES FOR ANGLES ARE: | | |
| .020 - .315 = ± 0.007° | | |
| .315 - 1.180 = ± 0.015° | | |
| 1.180 - 4.724 = ± 0.020° | | |

| | | | | |
|-------------------|------------|------|------|-------|
| CAD FILE | DWG. NO. | REV. | SIZE | SCALE |
| C:/242/242100.DWG | 242100.DWG | A | A | NA |

| | |
|--------------------------------|--------|
| Amphenol Connex | |
| PART DESCRIPTION | |
| BNC FEMALE TO N FEMALE ADAPTER | |
| PART NO. | 242100 |