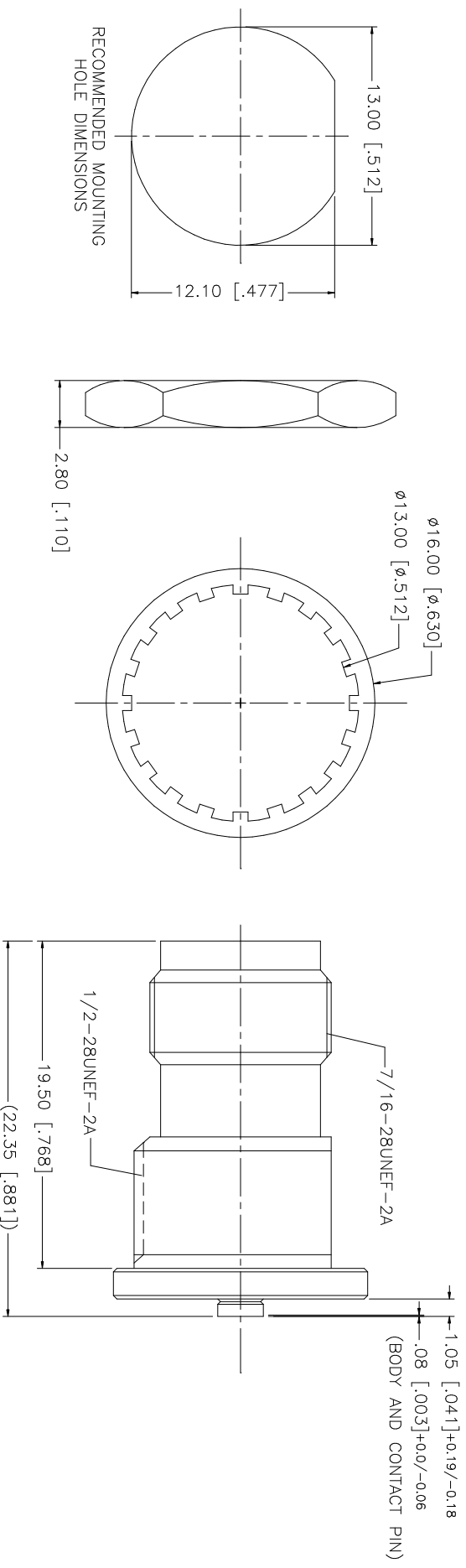


REV.	DATE	DESCRIPTION
A	04/06/04	MODIFY PART DESCRIPTION - REMOVE "REVERSE POLARITY"
B	05/26/06	REVISE PART DESCRIPTION TO "AMC" JACK



NOTES:
1. MAX. PANEL THICKNESS = 5mm

Amphenol Connex

AMC JACK TO TNC JACK
BULKHEAD ADAPTER

REV.	DATE	DESCRIPTION	MATERIAL	FINISH	QTY
8					
7					
6		HEX NUT	BRASS	NICKEL	1
5		LOCK WASHER	BRASS	NICKEL	1
4		BODY	BRASS	NICKEL	1
3		INSULATOR	TEFLON	NATURAL	1
2		CONTACT PIN	BRASS	GOLD	1
1		BODY	BRASS	NICKEL	1
DESCRIPTION		MATERIAL			
FINISH		QTY			
DO NOT SCALE DRAWING		UNLESS OTHERWISE SPECIFIED DIMENSIONS ARE IN INCHES AND FOR CUSTOMER REFERENCE ONLY. TOLERANCES FOR MILLIMETERS ARE: 0.5 - 8mm ± 0.20mm 8 - 30mm ± 0.40mm 30 - 120mm ± 0.50mm UNLESS OTHERWISE SPECIFIED TOLERANCES FOR INCHES ARE: .020 - .315 = ± 0.007" .315 - 1.180 = ± 0.015" 1.180 - 4.724 = ± 0.020"			
APPROVALS		DATE			
DRAWN G.R.S.		05/26/06			
CHECKED					
ISSUED					
SHEET 1 OF 1					
PART DESCRIPTION		PART NO.			
AMC JACK TO TNC JACK BULKHEAD ADAPTER		242192			
DWG. NO.		REV. B			
242192.DWG		SIZE A			
		SCALE NA			
CAD FILE C:/242/242192.DWG					