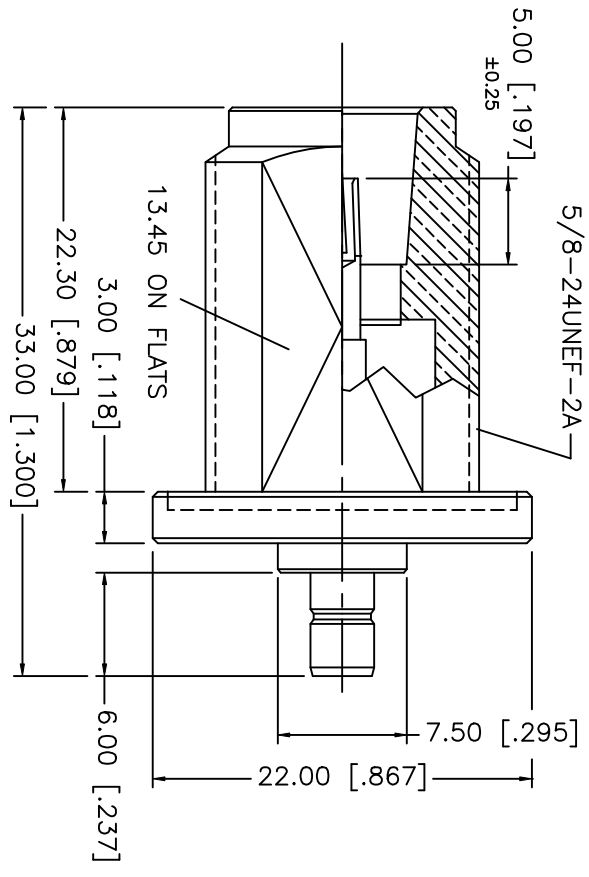
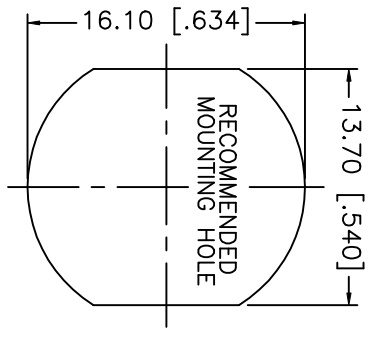
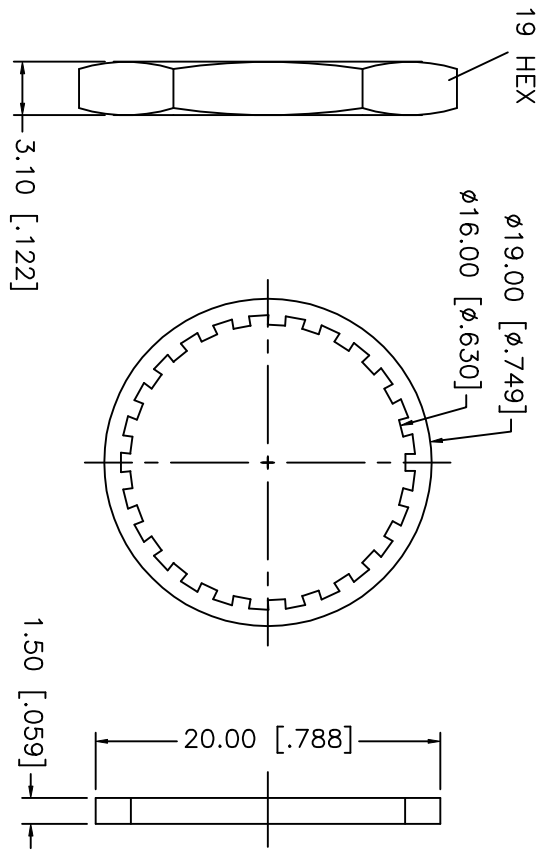


REV.	DATE	DESCRIPTION
NC	03/31/02	INITIAL RELEASE



NOTE:
1. MAX. PANEL THICKNESS = 6.8mm

NO.	DESCRIPTION	MATERIAL	FINISH	UNLESS OTHERWISE SPECIFIED DIMENSIONS ARE IN MILLIMETERS	APPROVALS	DATE	TITLE
8	HEX NUT	BRASS	NICKEL	DIMENSIONS IN [] ARE IN INCHES FOR CUSTOMER REFERENCE ONLY UNLESS OTHERWISE SPECIFIED TOLERANCES FOR INCHES ARE: .XXX = ± 0.005" .XX = ± 0.010" X = ± 0.020"	DRAWN G.R.S. CHECKED ISSUED	03/31/02	N BULKHEAD JACK TO SMB JACK ADAPTOR Amphenol - Connex CONNECTOR CORPORATION
7	LOCK WASHER	BRASS	NICKEL				
6	GASKET	SILICONE	RED				
5	BODY	BRASS	NICKEL				
4	CONTACT PIN	BER. COPPER	GOLD				
3	INSULATOR	TEFLON	NATURAL				
2	HOUSING	BRASS	NICKEL				
1	DESCRIPTION	MATERIAL	FINISH				
					NA	A	NC
					PART NO.	DWG. NO.	
					242183	242183.DWG	
					SHEET		
					1		
					OF		
					1		