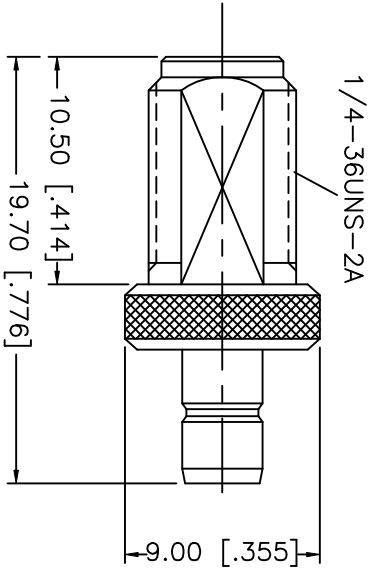
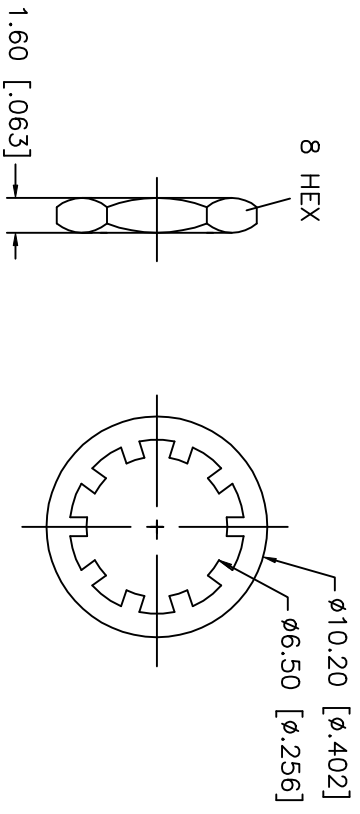
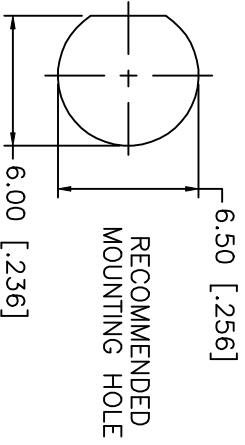


REV.	DATE	DESCRIPTION
NC	08/28/02	INITIAL RELEASE



NOTE:
1. MAX. PANEL THICKNESS = 2.4mm

8																			
7																			
6																			
5	HEX NUT	BRASS	GOLD																
4	LOCK WASHER	BRASS	GOLD																
3	CONTACT PIN	BER. COPPER	GOLD																
2	INSULATOR	TEFLON	NATURAL																
1	BODY	BRASS	GOLD																
	DESCRIPTION	MATERIAL	FINISH																
				UNLESS OTHERWISE SPECIFIED DIMENSIONS ARE IN MILLIMETERS				APPROVALS				DATE							
				DIMENSIONS IN [] ARE IN INCHES FOR CUSTOMER REFERENCE ONLY				DRAWN G.R.S.				08/28/02							
				UNLESS OTHERWISE SPECIFIED TOLERANCES FOR INCHES ARE: .XXX = ± 0.005" .XX = ± 0.010" .X = ± 0.020"				CHECKED											
				DO NOT SCALE DRAWING				ISSUED											
<p style="text-align: center;">Amphenol - Connex CONNECTOR CORPORATION</p> <p style="text-align: center;">TITLE SMA BULKHEAD JACK TO SMB JACK ADAPTOR</p> <p style="text-align: center;">SIZE FSCM NO. DWG. NO. REV. A 99001 242182.DWG NC</p> <p style="text-align: center;">SCALE NA PART NO. SHEET 242182 1 OF 1</p>																			