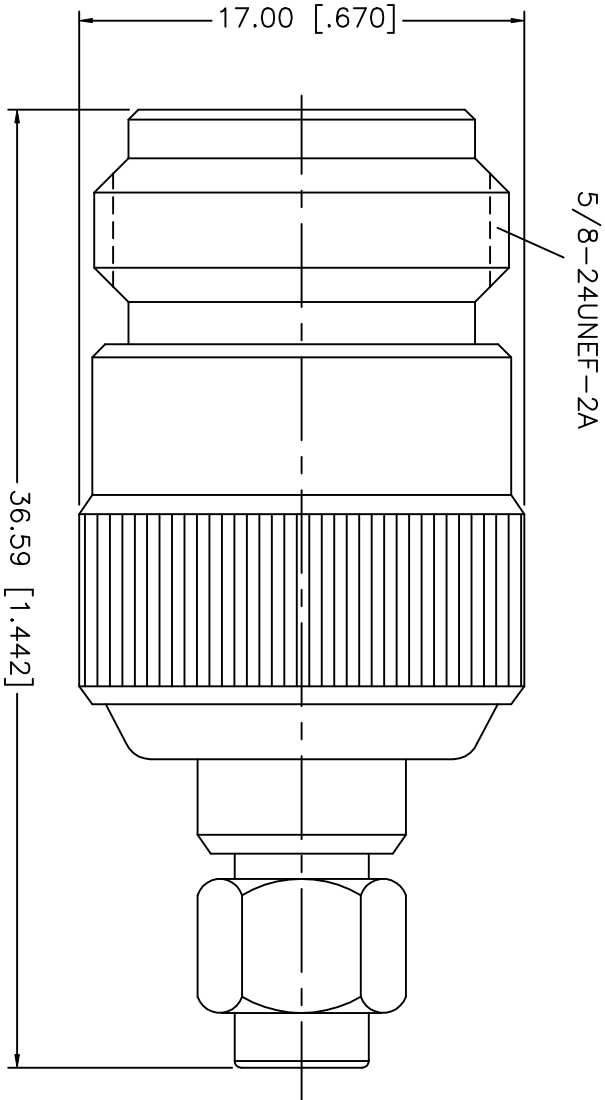


REV.	DATE	DESCRIPTION
NC	10/01/02	INITIAL RELEASE



8																			
7																			
6																			
5																			
4																			
3	CONTACT PIN	BFR. COPPER	GOLD																
2	INSULATOR	TEFLON	NATURAL																
1	BODY	BRASS	NICKEL																
	DESCRIPTION	MATERIAL	FINISH																
				UNLESS OTHERWISE SPECIFIED DIMENSIONS ARE IN MILLIMETERS				APPROVALS				DATE		TITLE					
				DIMENSIONS IN [] ARE IN INCHES FOR CUSTOMER REFERENCE ONLY				DRAWN G.R.S.		10/01/02		Amphenol - Connex CONNECTOR CORPORATION N JACK TO SMA REVERSE POLARITY PLUG ADAPTER							
				UNLESS OTHERWISE SPECIFIED TOLERANCES FOR INCHES ARE: .XXX = ± 0.005" .XX = ± 0.010" .X = ± 0.020"				CHECKED											
				DO NOT SCALE DRAWING				ISSUED											
		SIZE	FSCM NO.	PART NO.		DWG. NO.		SHEET		REV.									
		A	99001	242112RP		242112RP.DWG		1 OF 1		NC									