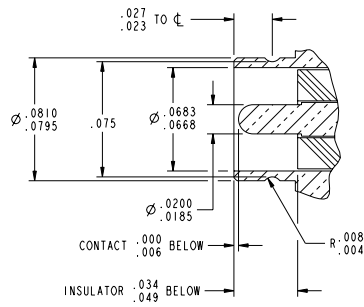


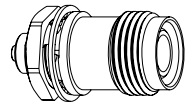
- NOTES:
- MATERIALS AND FINISHES:
 BODY - BRASS, NICKEL PLATING (.00008 THICK MIN.)
 CONTACT - BRASS, GOLD PLATING (.00003 THICK MIN.)
 INSULATOR - PTFE
 - ELECTRICAL:
 A. IMPEDANCE: 50 OHM
 B. FREQUENCY RANGE: DC - 3 GHz
 - MECHANICAL:
 A. DURABILITY: TNC, 500 CYCLES MIN.
 AMC, 30 CYCLES MIN.
 B. TEMPERATURE RANGE: -40° C TO 90° C
 - PACKAGING:
 A. QUANTITY: SINGLE PACK
 B. MARKING: BAG TO BE MARKED
 AMPHENOL, 31-6112, AND DATE CODE

31-6112		REVISIONS			
DRAWING NO.	REV	DESCRIPTION	DATE	ECO	APPR
THIRD ANGLE PROJ.	A	RELEASE TO MFG	10/23/03	44675	MAH
	B	SEE SHEET I	6/15/06	46132	CPM

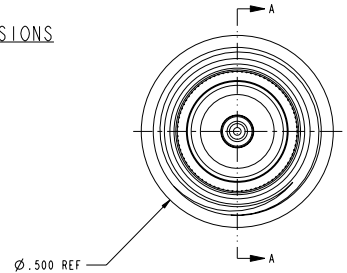


AMC PLUG INTERFACE DIMENSIONS

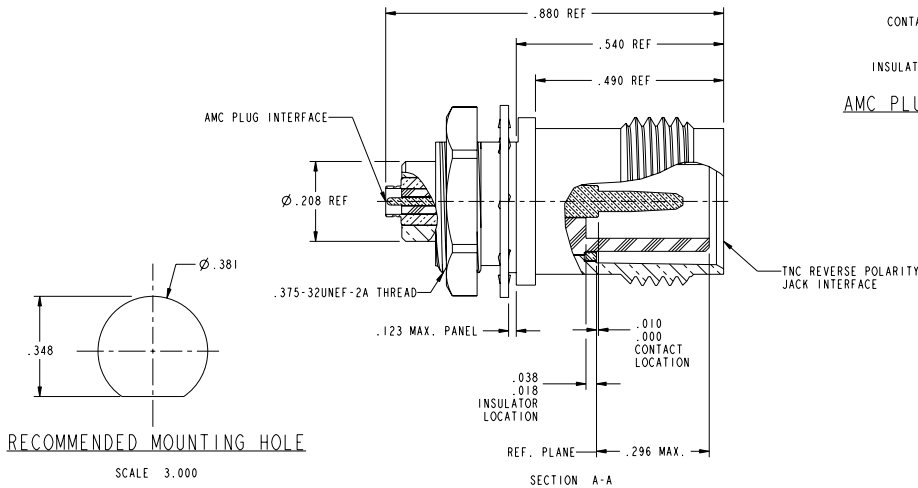
SECTION A-A
SCALE 16.000



SCALE 2.000



CUSTOMER OUTLINE DRAWING
ALL OTHER SHEETS ARE FOR INTERNAL USE ONLY



RECOMMENDED MOUNTING HOLE

SCALE 3.000

SECTION A-A

UNLESS OTHERWISE SPECIFIED, DIMENSIONS ARE IN INCHES AND TOLERANCES ARE: 2 PLACE DECIMAL ±.015 (0.381 mm) 3 PLACE DECIMAL ±.005 (0.127 mm) ANGLES ± 1°	MATERIAL	DRAWN M. HOYACK	DATE 4/22/03	TITLE AMC PLUG TO TNC REVERSE POLARITY JACK BULKHEAD ADAPTER	Amphenol RF Danbury, CT, USA Tainan, Taiwan Shenzhen, China www.amphenolrf.com			
	REFERENCE EARN 956 GENR ASSYF2_UFL SIMILAR TO 31-6109	ENGINEER G. ANTONINI	DATE 2/27/03	APPROVED KEN CAPOZZI		DATE 10/23/03		
NOTICE - These drawings, specifications, or other data (1) are, and remain the property of Amphenol Corp. (2) must be returned upon request; and (3) are confidential and not to be disclosed to any person other than those to whom they are given by Amphenol Corp. The furnishing of these drawings, specifications, or other data by Amphenol Corp., or to any other person for any purpose is not to be regarded by implication or otherwise in any manner licensing, granting rights or permitting such holder or any other person to manufacture, use or sell any product, process or design, patented or otherwise, that may in any way be related to or disclosed by said drawings, specifications, or other data.		CAD FILE 1:\TNC\31-6112	CODE ID 74868	DWG SIZE B	DRAWING NO. 31-6112	SCALE: 4.0:1	SHEET 2 OF 2	REV B