

NOTES:

1. MATERIALS AND FINISHES:

BODY - BRASS (ASTM-B16 H02, C36000), NICKEL PLATING (.00008 THICK MIN.)
 CONTACT - BRASS (ASTM-B16 H02, C36000), GOLD PLATING (.00003 THICK MIN.)
 INSULATOR - PTFE PER ASTM D 1710 OR EQUIV.

2. ELECTRICAL:

A. IMPEDANCE: 50 OHM
 B. FREQUENCY RANGE: DC - 6 GHz
 C. VSWR(RETURN LOSS): 1.2001-20.8db)DC TO 3.0 GHz
 1.3001-17.9db)3.0 TO 6.0 GHz

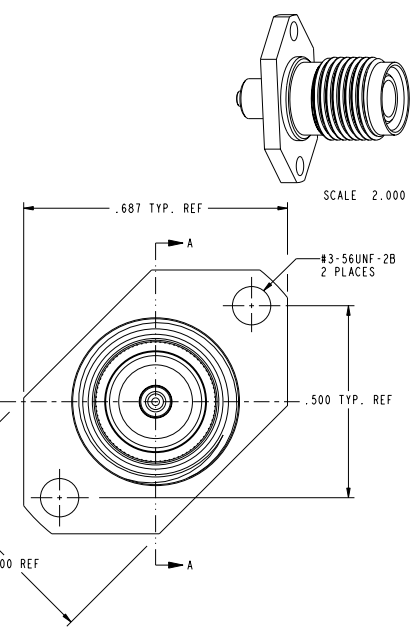
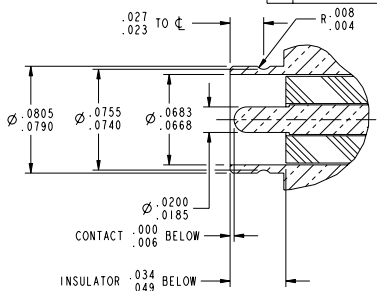
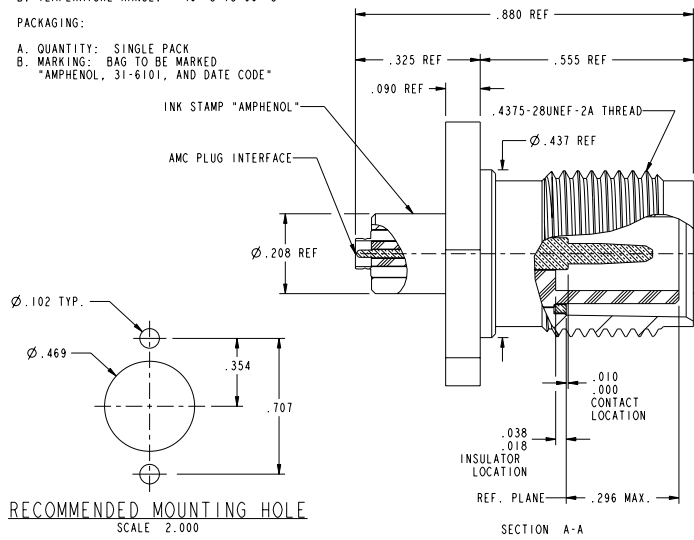
3. MECHANICAL:

A. DURABILITY: TNC, 500 CYCLES MIN.
 AMC, 30 CYCLES MIN.
 B. TEMPERATURE RANGE: -40° C TO 90° C

4. PACKAGING:

A. QUANTITY: SINGLE PACK
 B. MARKING: BAG TO BE MARKED
 "AMPHENOL, 31-6101, AND DATE CODE"

| 31-6101 | | REVISIONS | | | |
|-------------------|-----|--------------------------------------|----------|-------|------|
| DRAWING NO. | REV | DESCRIPTION | DATE | ECO | APPR |
| THIRD ANGLE PROJ. | A | RELEASE TO MFG | 11/12/02 | 44203 | GSA |
| | B | SEE SHEET 1 | 4/10/03 | 44427 | GSA |
| | C | SEE SHEET 1 | 5/2/03 | 44447 | CPM |
| | D | NOTE 2B WAS: DC-3 GHz, ADDED NOTE 2C | 3/17/04 | 44862 | HP |



RECOMMENDED MOUNTING HOLE
 SCALE 2.000

AMC PLUG INTERFACE DIMENSIONS
 SECTION A-A
 SCALE 14.000

CUSTOMER OUTLINE DRAWING
 ALL OTHER SHEETS ARE FOR INTERNAL USE ONLY

| | | | | | | | |
|---|---|----------------------------|------------------|--|--|------------------------------|------------------|
| UNLESS OTHERWISE SPECIFIED, DIMENSIONS ARE IN INCHES AND TOLERANCES ARE: 2 PLACE DECIMAL ±.015 (0.381 mm) 3 PLACE DECIMAL ±.005 (0.127 mm) ANGLES ± 1° | MATERIAL REFERENCE 611X-4061 EARN 584 GEN# ASSYMI_UFL | DRAWN C. McGRATH | DATE 9/12/02 | TITLE AMC PLUG TO TNC REVERSE POLARITY JACK PANEL ADAPTER | Amphenol RF Danbury, CT, USA Tainan, Taiwan Shenzhen, China www.amphenolrf.com | | |
| | | ENGINEER G. ANTONINI | DATE 9/12/02 | | | APPROVED O. BARTHELME | DATE 11/12/02 |
| NOTICE - These drawings, specifications, or other data (1) are, and remain the property of Amphenol Corp. (2) must be returned upon request; and (3) are confidential and not to be disclosed to any person other than those to whom they are given by Amphenol Corp. The furnishing of these drawings, specifications, or other data by Amphenol Corp., or to any other person for any purpose is not to be regarded by implication or otherwise in any manner licensing, granting rights or permitting such holder or any other person to manufacture, use or sell any product, process or design, patented or otherwise, that may in any way be related to or disclosed by said drawings, specifications, or other data. | | CAD FILE 1:\TNC\31-6101 | CODE ID 74868 | DWG SIZE B | DRAWING NO. 31-6101 | SCALE: 4.0:1 SHEET 2 OF 2 | REV D |