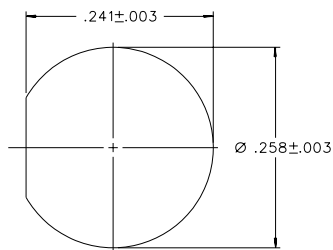
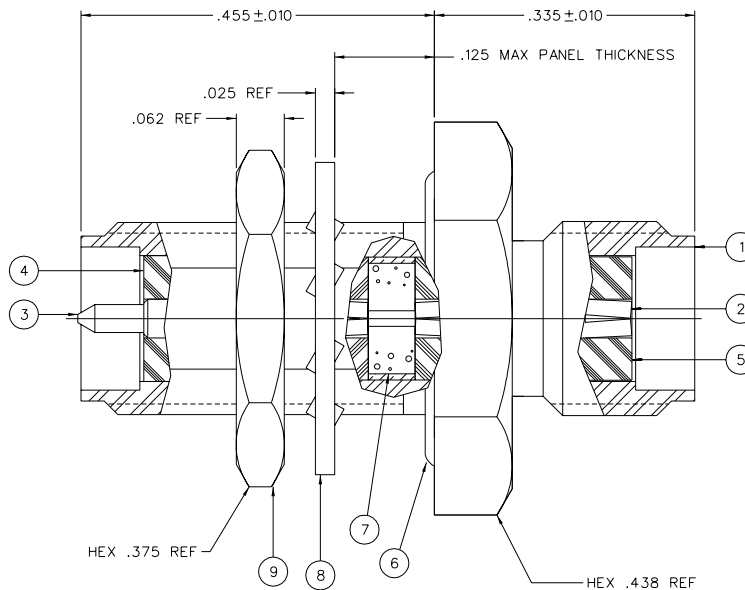


PART NUMBER	ITEM ① BODY	ITEM ②③ CONTACTS	ITEM ④⑤ INSULATORS	ITEM ⑥ O-RING	ITEM ⑦ SEAL PIN FEEDTHRU	ITEM ⑧ LOCKWASHER	ITEM ⑨ NUT
141-4901-411	STAINLESS STEEL GOLD PL .00001 MIN OVER NICKEL PL .00005 MIN OVER	BERYLLIUM COPPER GOLD PL .00005 MIN OVER NICKEL PL .00005 MIN OVER COPPER PL .00005 MIN	TEFLON	SILICONE	PIN & OUTER RING-KOVAR GOLD PL .00005 MIN OVER NICKEL PL .00005 MIN INSULATOR-GLASS	STAINLESS STEEL GOLD PL .00001 MIN OVER NICKEL PL .00005 MIN OVER	STAINLESS STEEL GOLD PL .00001 MIN OVER NICKEL PL .00005 MIN OVER

DRAWING NO. C - 141-4901-411/420	
0	REVISIONS
ENGINEERING RELEASE	
1	1-22-08



MOUNTING HOLE



NOTES:

1. SPECIFICATIONS:
- IMPEDANCE: 50 OHMS
 - FREQUENCY RANGE: 0-18 GHZ
 - VSWR: 1.05+.01(F) MAX. (F IN GHZ)
 - WORKING VOLTAGE: 500 VRMS MAX AT SEA LEVEL
 - DIELECTRIC WITHSTANDING VOLTAGE: 1500 VRMS MIN AT SEA LEVEL
 - INSULATION RESISTANCE: 5000 MEGOHM MIN
 - CONTACT RESISTANCE:
 - CENTER CONTACT - INITIAL 4.0 MILLIOHM MAX, AFTER ENVIRONMENTAL 6.0 MILLIOHM MAX
 - OUTER CONDUCTOR - INITIAL 2.0 MILLIOHM MAX, AFTER ENVIRONMENTAL NOT APPLICABLE
 - BRAID TO BODY - NOT APPLICABLE
 - CORONA LEVEL: 375 VOLTS MIN AT 70,000 FEET
 - INSERTION LOSS: .06 √ F AT 6 GHZ (F IN GHZ)
 - RF LEAKAGE: -90 dB MIN AT 2.5 GHZ
 - RF HIGH POTENTIAL WITHSTANDING VOLTAGE: 1000 VRMS MIN AT 4 AND 7 MHZ
- MECHANICAL:
- ENGAGE/DISENGAGE TORQUE: 2 INCH-POUNDS MAX
 - MATING TORQUE: 7-10 INCH POUNDS
 - COUPLING PROOF TORQUE: 15 INCH-POUNDS MIN
 - COUPLING NUT RETENTION: NOT APPLICABLE
 - CONTACT RETENTION: 4 LBS MIN AXIAL FORCE
 - CABLE ACCEPTABILITY: NOT APPLICABLE
 - CABLE HEX CRIMP SIZE: NOT APPLICABLE
 - CABLE RETENTION: NOT APPLICABLE
 - DURABILITY: 500 CYCLES MIN
- ENVIRONMENTAL:
- (MEETS OR EXCEEDS THE APPLICABLE PARAGRAPH OF MIL-A-55339)
- THERMAL SHOCK: MIL-STD-202, METHOD 107, CONDITION B
 - OPERATING TEMPERATURE: -65 DEG C TO 165 DEG C
 - CORROSION: MIL-STD-202, METHOD 101, CONDITION B
 - SHOCK: MIL-STD-202, METHOD 213, CONDITION I
 - VIBRATION: MIL-STD-202, METHOD 204, CONDITION D
 - MOISTURE RESISTANCE: MIL-STD-202, METHOD 106
 - HERMETICITY: NO LEAKAGE AT 20 PSI AIR PRESSURE

CUSTOMER DRAWING

THIS DRAWING TO BE INTERPRETED PER ANSI Y 14.5M - 1982

"μ STATION"

COMPANY CONFIDENTIAL

TOLERANCE UNLESS OTHERWISE SPECIFIED		DRAWN BY RJB	DATE 1-21-08	Connectivity Solutions P.O. Box 1732 Waseca, MN 56093 1-800-247-8256
DECIMALS	mm	CHECKED BY RJB	DATE 1-24-08	
.XXX		APPROVED BY TJS	DATE 1-24-08	TITLE ADAPTER ASSEMBLY, SMA JACK TO R/P SMA BULKHEAD JACK, HERMETIC SEALED
MATL		RELEASE DATE 1-24-08	SHEET 2 OF 2	DRAWING NO. C - 141-4901-411/420
FINISH		U/M	INCH	SCALE 10:1