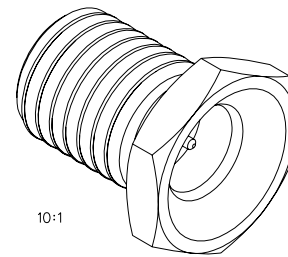
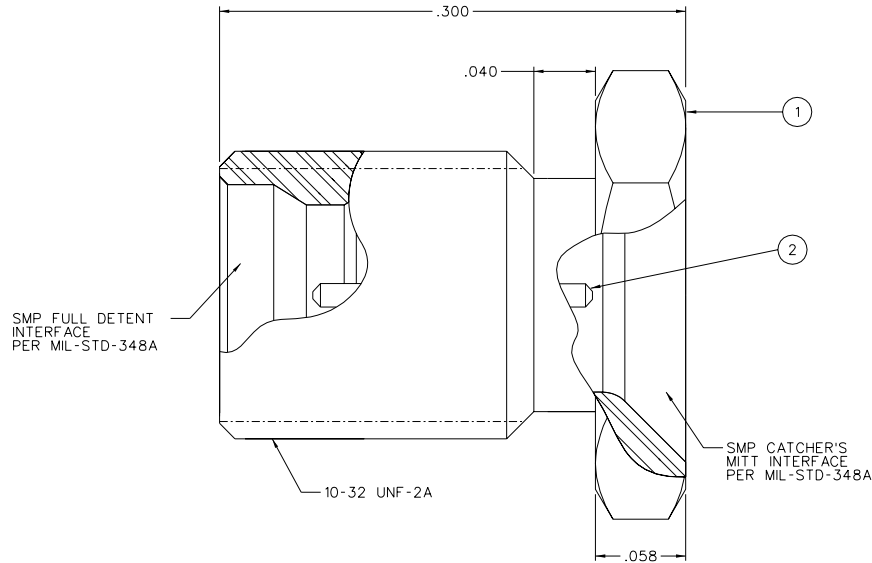
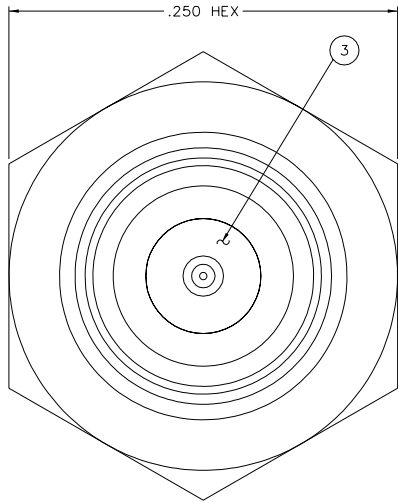


PART NUMBER	ITEM ① BODY	ITEM ② CONTACT	ITEM ③ INSULATOR
127-0901-822	STAINLESS STEEL PASSIVATED	BERYLLIUM COPPER GOLD PL .00005 MIN OVER NICKEL PL .00005 MIN OVER COPPER PL .00005 MIN	TEFLON

DRAWING NO. C - 127-0901-821/830	
0	REVISIONS
ENGINEERING RELEASE	
1	6-19-07 P. R. U. 6-20-07 T. R. U. N. ECN 51086



NOTES:

1. SPECIFICATIONS:
- IMPEDENCE: 50 OHMS NOMINAL
  - FREQUENCY RANGE: 0-18 GHz
  - VSWR: 1.10 MAX AT 0-4 GHz  
1.15 MAX AT 4-12 GHz  
1.20 MAX AT 12-18 GHz
  - INSERTION LOSS: 0.10/√F (GHz) dB MAX, TESTED AT 10 GHz
  - WORKING VOLTAGE: 335 VRMS MAX AT SEA LEVEL
  - DIELECTRIC WITHSTANDING VOLTAGE: 500 VRMS MIN AT SEA LEVEL
  - INSULATION RESISTANCE: 5000 MEGOHM MIN
  - CONTACT RESISTANCE:  
CENTER CONTACT - INITIAL 6.0 MILLIOHM MAX, AFTER ENVIRONMENTAL NOT APPLICABLE  
OUTER CONDUCTOR - INITIAL 2.0 MILLIOHM MAX, AFTER ENVIRONMENTAL NOT APPLICABLE
  - CORONA LEVEL: 190 VOLTS MIN AT 70,000 FEET
  - RF HIGH POTENTIAL WITHSTANDING VOLTAGE: 325 VRMS MIN AT 4 AND 7 MHz
  - RF LEAKAGE: -65 dB TYPICAL, TESTED AT 2.5 GHz
- MECHANICAL:
- CONTACT RETENTION: 1.5 LBS MIN AXIAL FORCE
- FULL DETENT MATING INTERFACE
- INTERFACE DESIGN: IN ACCORDANCE WITH MIL-STD-348A, SERIES SMP, FULL DETENT
  - ENGAGEMENT FORCE: 15.0 LBS MAX
  - DISENGAGEMENT FORCE: 5.0 LBS MIN
  - DURABILITY: 100 CYCLES MIN
- CATCHER'S MITT MATING INTERFACE
- INTERFACE DESIGN: IN ACCORDANCE WITH MIL-STD-348A, SERIES SMP, CATCHER'S MITT
  - ENGAGEMENT FORCE: 2.0 LBS MAX
  - DISENGAGEMENT FORCE: 0.5 LBS MIN
  - DURABILITY: 1000 CYCLES MIN
- ENVIRONMENTAL:
- (MEETS OR EXCEEDS THE APPLICABLE PARAGRAPH OF DSCC DWG NO. 94007)
  - OPERATING TEMPERATURE: -65°C TO 165°C
  - THERMAL SHOCK: MIL-STD-202, METHOD 107, CONDITION B, EXCEPT 165°C HIGH TEMP
  - MECHANICAL SHOCK: MIL-STD-202, METHOD 213, CONDITION 1
  - CORROSION: MIL-STD-202, METHOD 101, CONDITION B
  - VIBRATION: MIL-STD-202, METHOD 204, CONDITION D
  - MOISTURE RESISTANCE: MIL-STD-202, METHOD 106, EXCEPT STEP 7B OMITTED

CUSTOMER DRAWING

THIS DRAWING TO BE INTERPRETED  
PER ASME Y 14.5M - 1994

"μ STATION"

COMPANY CONFIDENTIAL

TOLERANCE UNLESS OTHERWISE SPECIFIED	DRAWN BY PAT	DATE 5/9/07		Connectivity Solutions P.O. Box 1732 Waseca, MN 56093 1-800-247-8256	
DECIMALS mm	CHECKED BY JRK	DATE 6-19-07		TITLE SMP ADAPTER FULL DETENT TO CATCHER'S MITT	
.XXX REF	APPROVED BY PDW	DATE 6-20-07	SHEET 2 OF 2	DRAWING NO. C - 127-0901-821/830	
MATL	RELEASE DATE U/M INCH	6-20-07 SCALE 20:1			