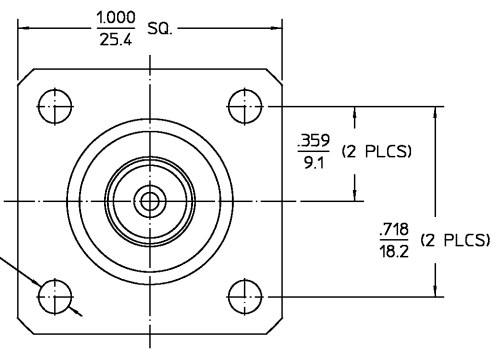
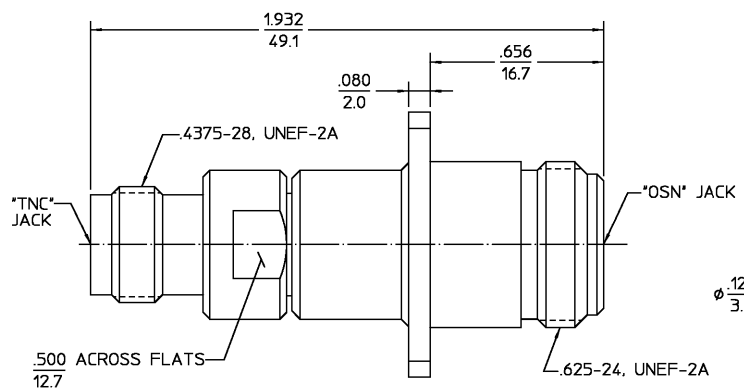


REVISIONS			
REV	DESCRIPTION	DATE	APPROVED
01	REVISED	10/3/01	<i>[Signature]</i>
B	PER EC 0U20-0694-00	10/3/01	<i>[Signature]</i>



HOUSING	STAINLESS STEEL PER ASTM-A484 AND ASTM-A582, TYPE 303	PASSIVATE PER QQ-P-35
DIELECTRIC	PTFE FLUOROCARBON PER ASTM-D-1457	N/A
CONTACT EXT.	BERYLLIUM COPPER PER ASTM-B-196 OR ASTM-B-197, ALLOY C17300, CONDITION H	GOLD PLATE PER MIL-G-45204
CONTACT EXT. BUSHING & CENTER CONTACT	BRASS PER ASTM-B-16, HALF HARD	GOLD PLATE PER MIL-G-45204
COMPONENT	MATERIAL	FINISH

UNLESS OTHERWISE SPECIFIED DIMENSIONS ARE IN INCHES		<table border="1"> <tr> <td>DRAWN BY</td> <td>DATE</td> </tr> <tr> <td>SWA</td> <td>6/17/85</td> </tr> <tr> <td>CHECKED BY</td> <td>DATE</td> </tr> <tr> <td>FN</td> <td>6/18/85</td> </tr> <tr> <td>APPRO BY</td> <td>DATE</td> </tr> <tr> <td>DN</td> <td>6/19/85</td> </tr> </table>	DRAWN BY	DATE	SWA	6/17/85	CHECKED BY	DATE	FN	6/18/85	APPRO BY	DATE	DN	6/19/85	AMP AMP Incorporated 140 Fourth Avenue Waltham, MA 02451-7599
DRAWN BY	DATE														
SWA	6/17/85														
CHECKED BY	DATE														
FN	6/18/85														
APPRO BY	DATE														
DN	6/19/85														
THESE DRAWINGS AND SPECIFICATIONS ARE THE PROPERTY OF WIA CON INTERCONNECT DIV. AND SHALL NOT BE REPRODUCED OR COPIED OR USED IN WHOLE OR IN PART AS THE BASIS FOR THE MANUFACTURE OR SALE OF ITEMS WITHOUT WRITTEN PERMISSION.		TITLE "TNC" JACK TO "OSN" FLG MOUNT JACK ADAPTER	<table border="1"> <tr> <td>SIZE</td> <td>CODE IDENT NO.</td> <td>REV</td> </tr> <tr> <td>B</td> <td>26805</td> <td>3180-2302-00</td> </tr> <tr> <td>SCALE</td> <td>3:1</td> <td>01₁</td> </tr> </table>	SIZE	CODE IDENT NO.	REV	B	26805	3180-2302-00	SCALE	3:1	01 ₁			
SIZE	CODE IDENT NO.	REV													
B	26805	3180-2302-00													
SCALE	3:1	01 ₁													
USE ASSY PROCEDURE NO. AP. N/A		SHEET 1 OF 1													

NOTES:
1.) CAPTURED CENTER CONTACT

.XXX = in
XX.X = mm (REF)

CUSTOMER DRAWING
AMP PART # 1057843-1
SHEET 1 OF 1 REV B