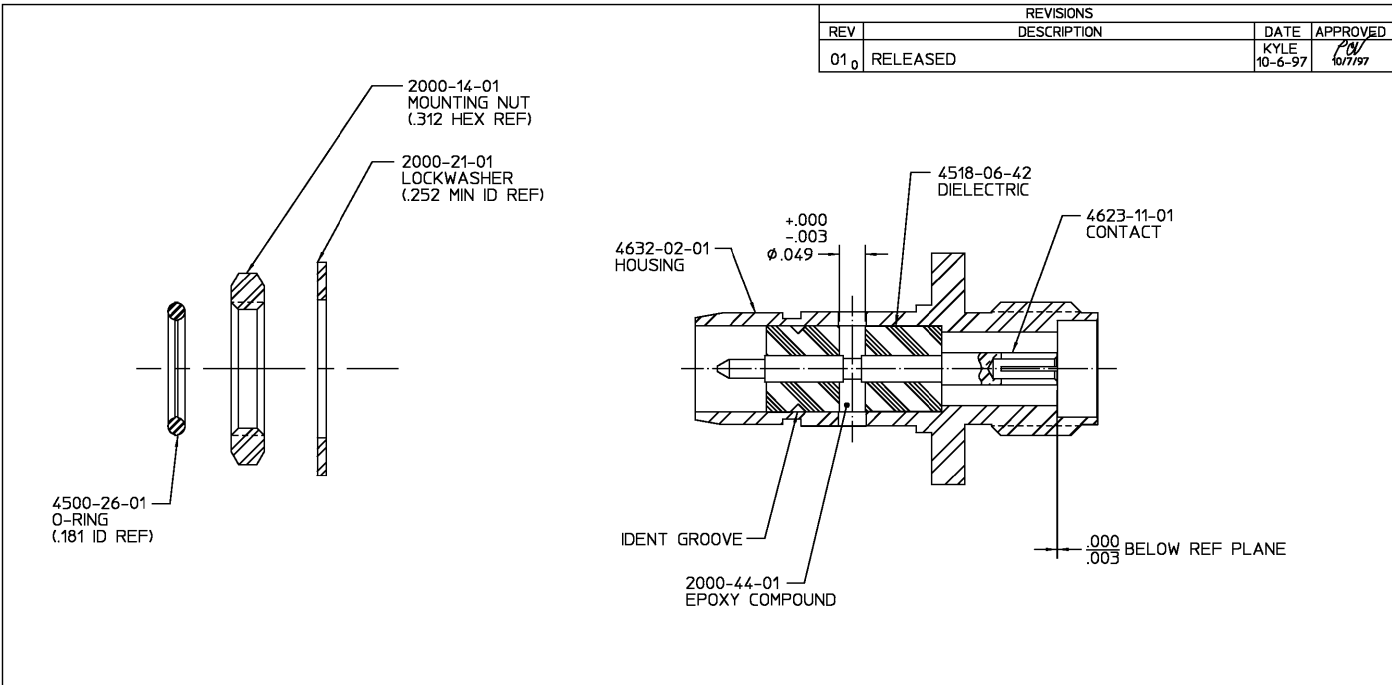


REVISIONS			
REV	DESCRIPTION	DATE	APPROVED
01 ₀	RELEASED	KYLE 10-6-97	<i>[Signature]</i> 10/7/97



<small>UNLESS OTHERWISE SPECIFIED DIMENSIONS ARE IN INCHES, AND BEFORE PLATING. ALL ANGLES ARE DEGREES. FRAC. DEC. ANGLES = 1/64 .005 ± °</small>	<small>DRAWN BY</small> <i>[Signature]</i> 11/15/97	AMP Incorporated 140 Fourth Avenue Waltham, MA 02451-7599
	<small>CHECKED BY</small> <i>[Signature]</i>	
<small>APPROVED BY</small>	AMP	
<small>These drawings and specifications are the property of N/A-COM Incorporated and shall not be reproduced or copied or used in whole or in part as the basis for the manufacture or sale of items without written permission.</small>	TITLE OSP PLUG TO 3.5mm JACK ADAPTER	
<small>SIZE</small> B	<small>CODE IDENT NO.</small> 26805	<small>4585-2352-50</small>
<small>SCALE</small> 6:1	<small>CABLE TYPE</small> N/A	<small>REV</small> 01 ₀
<small>SHEET 1 OF 1</small>		

AMP PART # 1251381
SHEET 1 OF 1 REV A