

4

3

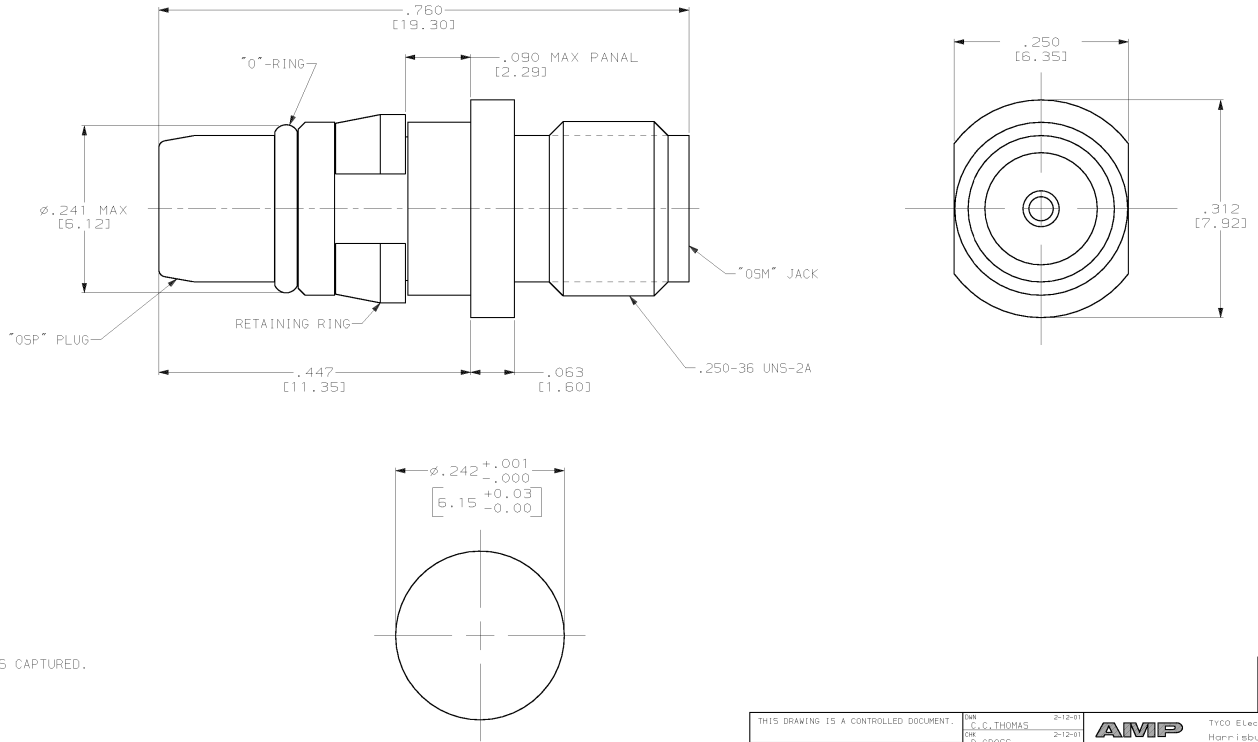
2

1

THIS DRAWING IS UNPUBLISHED. RELEASED FOR PUBLICATION BY AMP INCORPORATED. ALL RIGHTS RESERVED.

LOC	QTY	REV	DESCRIPTION	DATE	BY	APP'D
DF	X0	0	RELEASED	2-01	CT	RB

COMPONENT	MATERIAL	FINISH
HOUSING	STAINLESS STEEL PER ASTM-A-484 AND ASTM-A-582 TYPE 303	PASSIVATED PER QQ-P-35
DIELECTRIC	PTFE FLUOROCARBON PER ASTM-D-1457	-
CENTER CONTACT	BERYLLIUM COPPER PER ASTM-B-196 OR ASTM-B-197 ALLOY C17300, CONDITION H	GOLD PLATED PER ASTM-B-488, TYPE 3 CODE C, CLASS 1.25
O-RING	NITRILE (BUNA-N) PER MIL-P-25132	-



1218777-1
PART NO.

THIS DRAWING IS A CONTROLLED DOCUMENT		DATE	2-12-01		Tyco Electronics Corporation Harrisburg, PA 17105-3608
DRAWN BY: S. THOMAS		DATE	2-12-01		
CHECKED BY: S. GROSS		DATE	2-12-01	OSP PLUG TO OSM JACK, BULKHEAD FEED-THRU ADAPTER, RF	
MATERIAL: SEE TABLE		FINISH: SEE TABLE	APPLICATION SPEC: -	STL#	4585-2240-02
DIMENSIONS: INCHES (mm)		WEIGHT: -	INDUSTRY SPEC: -	DRAWING NO.	1218777
0 P.L.C. ±.001 1 P.L.C. ±.001 2 P.L.C. ±.001 3 P.L.C. ±.001 4 P.L.C. ±.001		REF: 4585-2240-02 SCALE: 10:1		CUSTOMER DRAWING	REF: 4585-2240-02