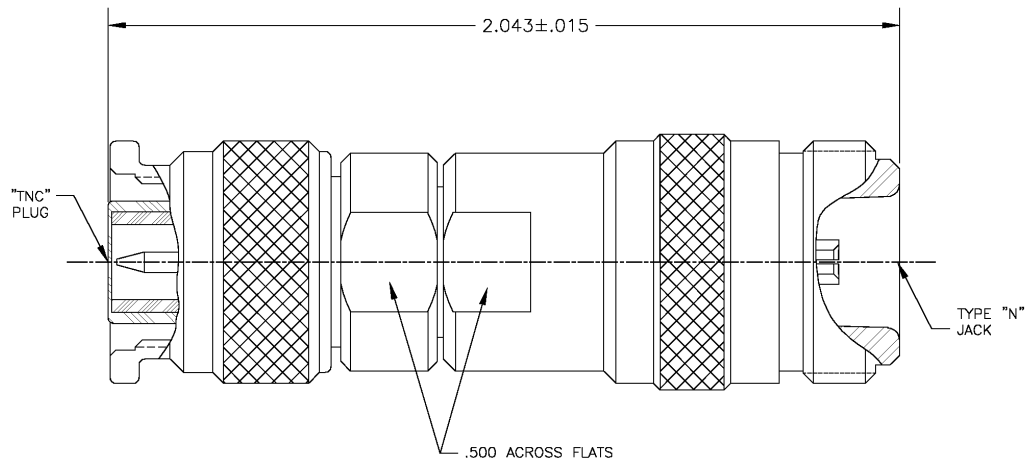


THIS DRAWING IS UNPUBLISHED. RELEASED FOR PUBLICATION  
 © COPYRIGHT BY TYCO ELECTRONICS CORPORATION. ALL RIGHTS RESERVED.

LOC	DIST	REVISIONS			
P	LTR	DESCRIPTION	DATE	DWN	APVD
HC	00	A	RELEASED ON TYCO FORMAT	29APR03	GV DC



**MATERIAL:**  
 CENTER CONDUCTOR- BERYLLIUM COPPER PER ASTM-B-196, ALLOY C17300 COND H.  
 OUTER CONDUCTOR- STAINLESS STEEL PER ASTM-A-484 AND ASTM-A-582 TYPE 303.

DIELECTRIC- TEFLON PER ASTM-D-1457

**PLATING:**  
 INNER CONDUCTOR- GOLD PER MIL-G-45204  
 OUTER CONDUCTOR- PASSIVATED PER QQ-P-35

THIS DRAWING IS A CONTROLLED DOCUMENT.		DWN G. VIERA	28APR03	 Tyco Electronics Corporation Harrisburg, PA 17105-3608
DIMENSIONS: INCHES		DIR D. CAMELIO	29APR03	
		APVD D. CAMELIO	29APR03	NAME "N" JACK TO "TNC" PLUG ADAPTER (3082-2311-00)
TOLERANCES UNLESS OTHERWISE SPECIFIED:		PRODUCT SPEC		SIZE
0 PLC	± .-	APPLICATION SPEC		CAGE CODE
1 PLC	± .-	WEIGHT		DRAWING NO
2 PLC	± .-	CUSTOMER DRAWING		A3 00779
3 PLC	± .003			G=1057388-1
4 PLC	± .-			RESTRICTED TO
ANGLES	± 1°			SCALE
MATERIAL	FINISH			4:1
				SHEET
				1 OF 1
				REV
				A