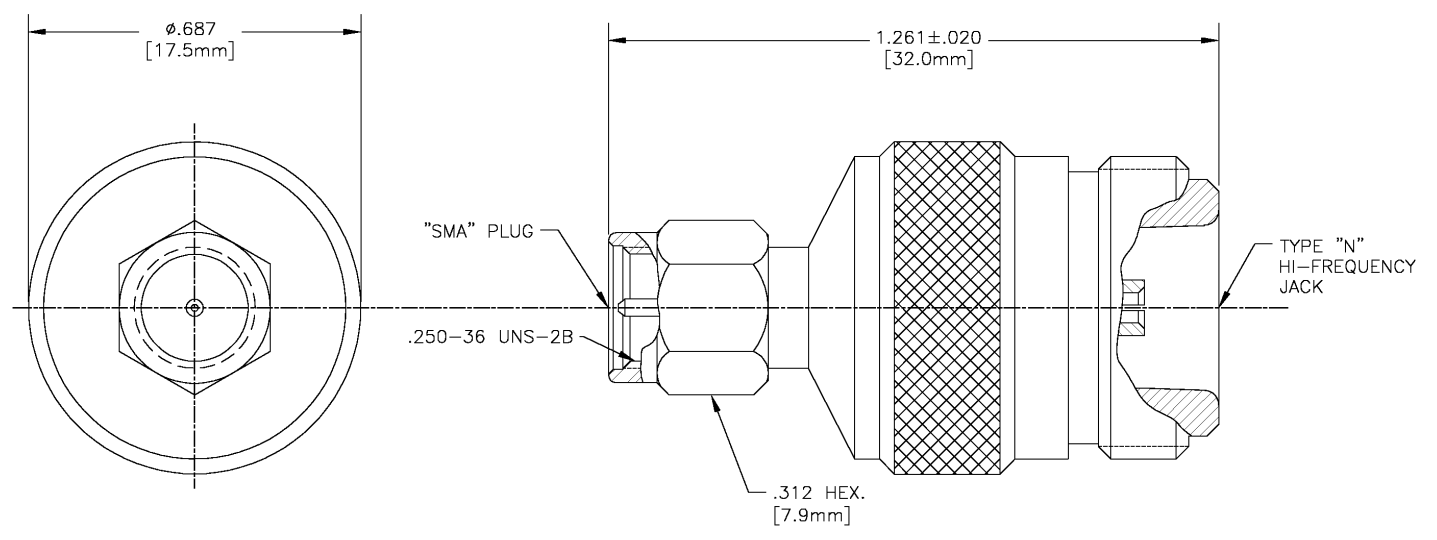


THIS DRAWING IS UNPUBLISHED. RELEASED FOR PUBLICATION
 © COPYRIGHT BY TYCO ELECTRONICS CORPORATION. ALL RIGHTS RESERVED.

LOC		DIST		REVISIONS				
P	LT/R	DESCRIPTION	DATE	DWN	APVD			
0		RELEASED ON TYCO FORMAT	13MAY03	GV	DC			



MATERIAL:
 CENTER CONDUCTOR- BERYLLIUM COPPER PER ASTM-B-196, ALLOY C17300, COND H.
 OUTER CONDUCTOR- STAINLESS STEEL PER ASTM-A484 AND ASTM-A582, TYPE 303

DIELECTRIC- PTFE FLOUROCARBON PER ASTM-D-4894

PLATING:
 INNER CONDUCTOR- GOLD PER MIL-G-45204
 OUTER CONDUCTOR- PASSIVATED PER QQ-P-35

THIS DRAWING IS A CONTROLLED DOCUMENT.		DWN G. VIERA 12MAY03	 Tyco Electronics Corporation Harrisburg, PA 17105-3608																		
DIMENSIONS: INCHES		DIR D. CAMELIO 13MAY03																			
TOLERANCES UNLESS OTHERWISE SPECIFIED:		APVD D. CAMELIO 13MAY03	NAME HI-FREQUENCY "N" (18 GHz) JACK TO "SMA" PLUG ADAPTER (3682-2241-00)																		
<table border="1"> <tr><td>0</td><td>PLC</td><td>± .-</td></tr> <tr><td>1</td><td>PLC</td><td>± .-</td></tr> <tr><td>2</td><td>PLC</td><td>± .-</td></tr> <tr><td>3</td><td>PLC</td><td>± .010</td></tr> <tr><td>4</td><td>PLC</td><td>± .-</td></tr> <tr><td colspan="2">ANGLES</td><td>± 1°</td></tr> </table>		0	PLC	± .-	1	PLC	± .-	2	PLC	± .-	3	PLC	± .010	4	PLC	± .-	ANGLES		± 1°	PRODUCT SPEC -	SIZE A3
0	PLC	± .-																			
1	PLC	± .-																			
2	PLC	± .-																			
3	PLC	± .010																			
4	PLC	± .-																			
ANGLES		± 1°																			
MATERIAL -		FINISH -	CAGE CODE 00779																		
		WEIGHT -	DRAWING NO 1058664-1																		
		CUSTOMER DRAWING																			
		SCALE 5:1	RESTRICTED TO -																		
		SHEET 1 OF 1	REV 0																		