

4

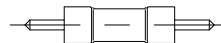
3

2

1

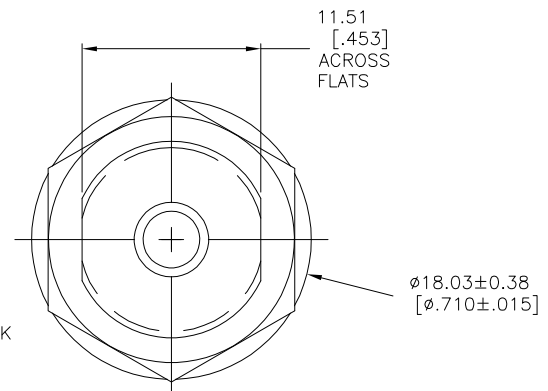
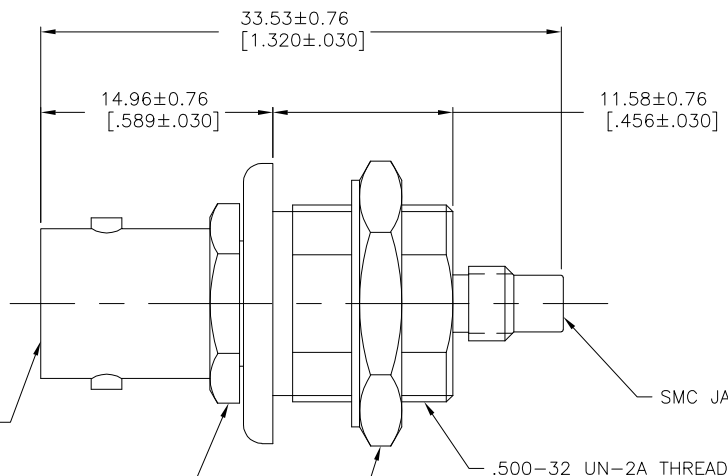
THIS DRAWING IS UNPUBLISHED. RELEASED FOR PUBLICATION
 © COPYRIGHT - BY TYCO ELECTRONICS CORPORATION. ALL RIGHTS RESERVED.

LOC		DIST		REVISIONS			
P	LTR	DESCRIPTION		DATE	DWN	APVD	
A1		REVISED PER ECO-06-002179.		09JAN2006	JGH	JGH	



FUSE DETAIL
1406609-1

- 1 MATERIALS:
 HOUSING, MOUNTING NUT: BRASS PER ASTM B 16
 DIELECTRIC: PTFE PER ASTM D 1710
 CENTER CONTACT: BERYLLIUM COPPER PER ASTM B 196
 LOCKWASHER: PHOSPHOR BRONZE PER ASTM B 103
- 2 FINISHES:
 HOUSING, MOUNTING NUT, LOCKWASHER: NICKEL PLATE
 PER QQ-N-290
 CENTER CONTACT: GOLD PLATE PER ASTM B 488



1058120-1
PART NUMBER

THIS DRAWING IS A CONTROLLED DOCUMENT.		DWN J. HAVENER 09JAN2006		Tyco Electronics Corporation Harrisburg, PA 17105-3608	
DIMENSIONS: mm [INCHES]		CHK J. HAVENER 09JAN2006		NAME	
TOLERANCES UNLESS OTHERWISE SPECIFIED:		APVD J. HAVENER 09JAN2006	FUSE HOLDER ADAPTER BNC JACK TO SMC JACK BULKHEAD (3284-3201-10)		
0 PLC ± -		PRODUCT SPEC	SIZE	CAGE CODE	DRAWING NO
1 PLC ± -		APPLICATION SPEC	A3	00779	C=1058120
2 PLC ± 0.13 [.005]		WEIGHT	RESTRICTED TO		
3 PLC ± -		CUSTOMER DRAWING	SCALE 4:1 SHEET 1 of 1 REV A1		
4 PLC ± -					
ANGLES ± 1'					
MATERIAL	FINISH				
1	2				