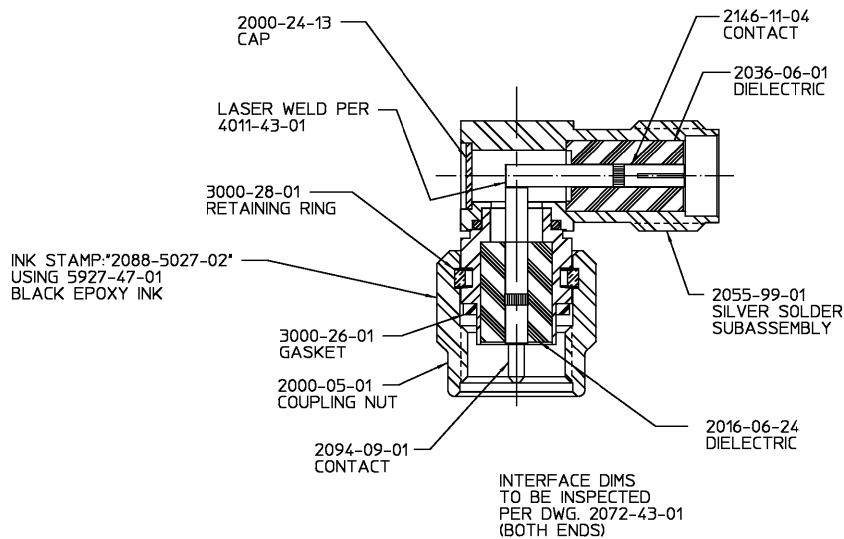


REVISIONS			
REV	DESCRIPTION	DATE	APPROVED
02.1	REACTIVATED AND REDRAWN, ECN 97-0001	11/21/97 3/12/97	DC



DESIGN CONTROL

UNLESS OTHERWISE SPECIFIED DIMENSIONS ARE IN INCHES AND BEFORE PLATING. ANGLES ARE DEGREES. FRAC. DEC. ANGLES ± 1/64 ± .005 ± 1°	DRAWN BY	BB	DATE	AMP Incorporated 140 Fourth Avenue Waltham, MA 02451-7599
	CHECKED BY	CW	9-25-89	
These drawings and specifications are the property of M/A-COM Incorporated and shall not be reproduced or copied or used in whole or in part as the basis for the manufacture or sale of itself without written permission.	APPROVED BY	NGB	9-25-89	AMP TITLE OSM HIGH FREQ RIGHT ANGLE PLUG TO JACK ADAPTER
	SCALE	B	26805	
				REV 02.1
	SCALE	5:1	CABLE TYPE	N/A
			AMP PART #	1084020
			SHEET	1 OF 1

SHEET 1 OF 1 REV A

-02