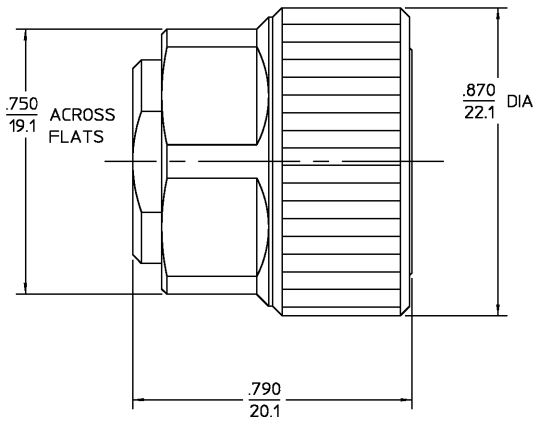


REVISIONS			
REV	DESCRIPTION	DATE	APPROVED
08 ₁	REVISED	05/26/94	<i>AD</i>
A	PER EC OU20-0116-01	10/5/01	<i>C. Hoang</i> 10/5/01



COUPLING NUT	STAINLESS STEEL PER ASTM-A484 AND ASTM-A582, TYPE 303	ELECTRO-POLISHED
HOUSING	STAINLESS STEEL PER ASTM-A484 AND ASTM-A582, TYPE 303	GOLD PLATE PER MIL-G-45204
CONTACT EXT.	BRASS PER ASTM-B-16, HALF HARD	GOLD PLATE PER MIL-G-45204
COMPONENT	MATERIAL	FINISH
<small>UNLESS OTHERWISE SPECIFIED DIMENSIONS ARE IN INCHES</small> <small>TOLERANCE ON</small> <small>FRAC. DEC ANGLES</small> <small>+ 1/64 +.005 + °</small>		
<small>DRAWN BY</small> S.B. <small>DATE</small> 12/5/85 <small>CHECKED BY</small> M.B. <small>DATE</small> 12/10/85 <small>APPROVED BY</small> MCS <small>DATE</small> 12/31/85		<small>AMP Incorporated</small> 140 Fourth Avenue Waltham, MA 02451-7599
<small>USE ASSY PROCEDURE</small> <small>NO. AP.</small> N/A		<small>TITLE</small> 7mm CONNECTOR TO TNC PLUG ADAPTER (MODE FREE)
<small>SIZE</small> B <small>CODE IDENT NO.</small> 26805		<small>7000-0000-00</small>
<small>SCALE</small> 4:1		<small>REV</small> 08 ₁ <small>SHEET</small> 1 OF 1

.XXX = in
XX.X = mm

CUSTOMER DRAWING

AMP PART # 1061683-1
SHEET 1 OF 1 REV A