

4

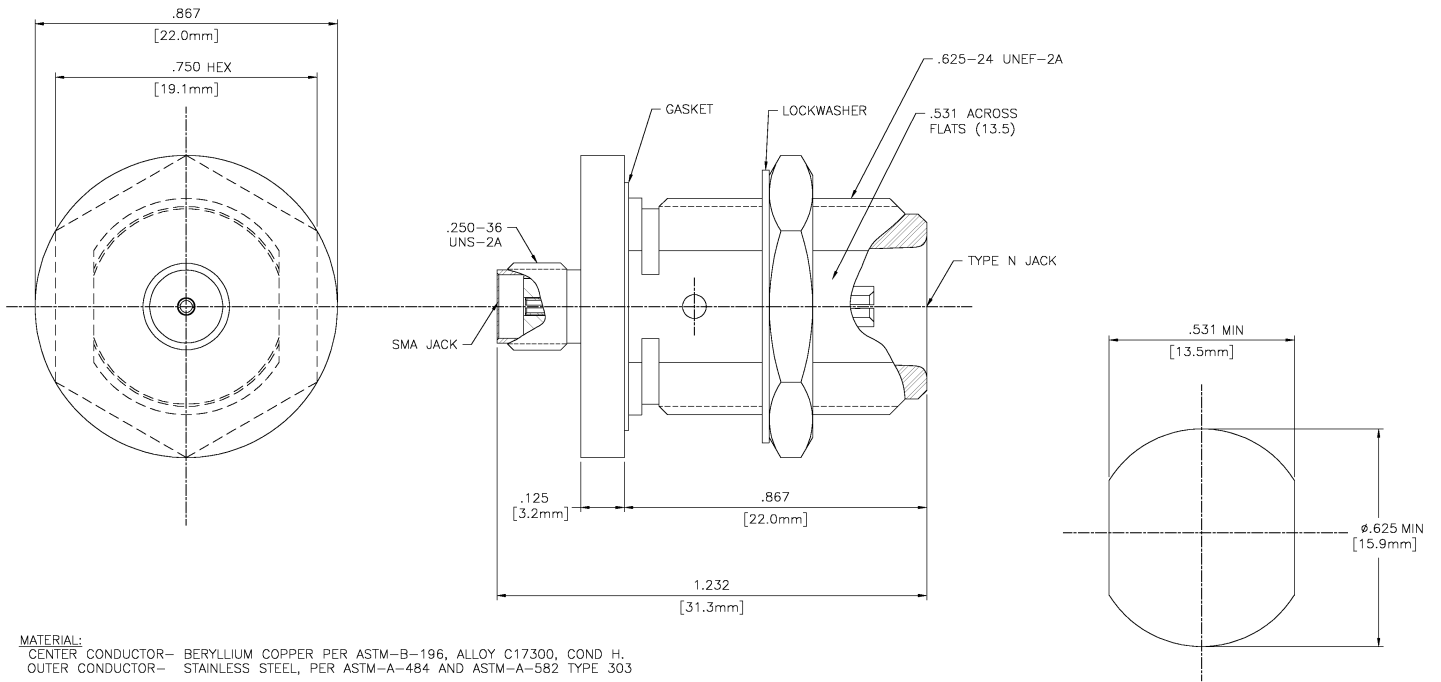
3

2

1

THIS DRAWING IS UNPUBLISHED. RELEASED FOR PUBLICATION  
 © COPYRIGHT BY TYCO ELECTRONICS CORPORATION. ALL RIGHTS RESERVED.

LOC	DIST	REVISIONS					
HC	00	P	LN	DESCRIPTION	DATE	BY	APPD
		0		RELEASED ON TYCO FORMAT	25APR03	GV	DC



**MATERIAL:**  
 CENTER CONDUCTOR- BERYLLIUM COPPER PER ASTM-B-196, ALLOY C17300, COND H.  
 OUTER CONDUCTOR- STAINLESS STEEL, PER ASTM-A-484 AND ASTM-A-582 TYPE 303

DIELECTRIC- TEFLON PER ASTM-D-1457

**PLATING:**  
 INNER CONDUCTOR- GOLD PER MIL-G-45204  
 OUTER CONDUCTOR- PASSIVATED PER QQ-P-35

RECOMMENDED MOUNTING HOLE

THIS DRAWING IS A CONTROLLED DOCUMENT.		DW: G. VICERA 25APR03 CK: J. CAMELID 24APR03 JPD: J. CAMELID 24APR03 NAME: J. CAMELID	<b>tyco</b> <b>Electronics</b> Tyco Electronics Corporation Harrisburg, PA 17105-3508
DIMENSIONS: INCHES:	DIMENSIONS UNLESS OTHERWISE SPECIFIED: Ø PLG ± .005 PLG ± .005 PLG ± .005 PLG ± .005 ANGLES ± .5°	APPLICATION SPEC: --- WEIGHT: ---	SIZE: A2 CASE CODE: 00779 DRAWING NO: C=1058675-1 RESTRICTED TO: ---
MATERIAL: ---		FINISH: ---	
CUSTOMER DRAWING		SCALE: 5:1	SHEET 1 OF 1 REV 0

AMP 1471-9 REV 31MAR2000

J:\dept1733\jv.dies\

1058675-1

A