
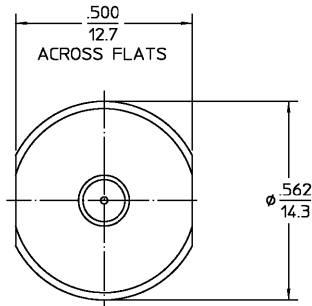
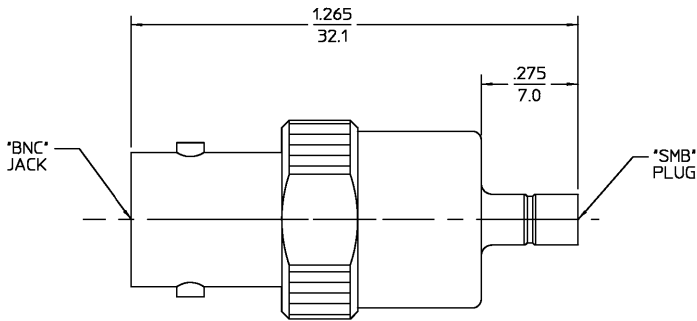


| REVISIONS | | | |
|-----------------|-------------|------------------|---|
| REV | DESCRIPTION | DATE | APPROVED |
| 01 ₁ | REVISED | KYLE 10-22-97 |  10/27/97 |



| | | |
|----------------|--|----------------------------|
| HOUSING (BNC) | BRASS PER ASTM-B-16, HALF HARD | NICKEL PLATE PER QQ-N-290 |
| HOUSING (SMB) | STAINLESS STEEL PER ASTM-A484 AND ASTM-A582, TYPE 303 | PASSIVATE PER QQ-P-35 |
| DIELECTRIC | PTFE FLUOROCARBON PER ASTM-D-1457 | N/A |
| CENTER CONTACT | BERYLLIUM COPPER PER ASTM-B-196 OR ASTM-B-197, ALLOY C17300, CONDITION H | GOLD PLATE PER MIL-G-45204 |

| COMPONENT | MATERIAL | FINISH |
|-----------|----------|--------|
|-----------|----------|--------|

| | | | |
|--|----------------|--------------|---|
| UNLESS OTHERWISE SPECIFIED DIMENSIONS ARE IN INCHES FRAC. ± 1/64 DEC. ± .005 ANGLES ± ° | DRAWN BY BC | DATE 5-13-77 |  AMP Incorporated 140 Fourth Avenue Waltham, MA 02451-7599 |
| | CHECKED BY KMW | DATE 6-14-77 | |
| | APPD BY RHF | DATE 6-15-77 | |

| | | | |
|---|--------------------|--|-----------------------------|
| These drawings and specifications are the property of M/A CDM Interconnect Div. and shall not be reproduced or copied or used in whole or in part as the basis for the manufacture or sale of (Items) without written permission. | USE ASSY PROCEDURE | TITLE "SMB" JACK TO "BNC" JACK ADAPTER | |
| | NO. AP. N/A | SIZE B | CODE IDENT NO. 3280-2224-00 |
| | | SCALE 4:1 | REV 01 ₁ |

.XXX = in
XX.X = mm (REF)

COPY IN PUERTO RICO

CUSTOMER DRAWING

AMP PART # 1058056-1
SHEET 1 OF 1 REV A