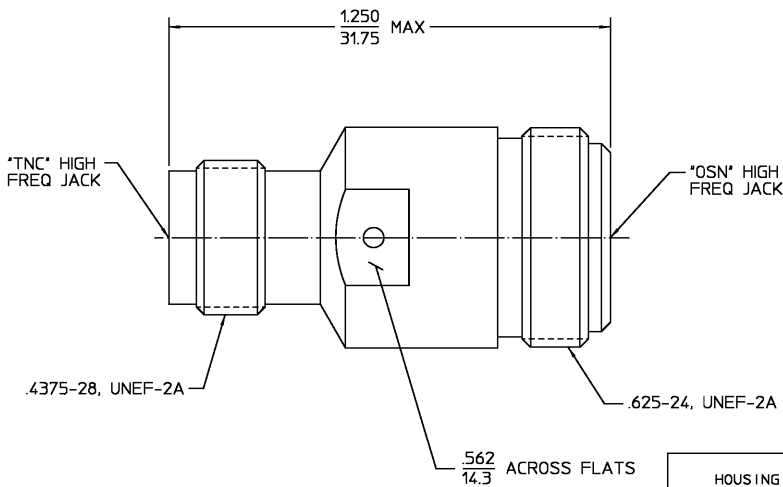



REVISIONS			
REV	DESCRIPTION	DATE	APPROVED
02 <sub>1</sub>	REVISED	KYLE 5-22-97	<i>[Signature]</i> 7/14/97



**NOTES:**

- IMPEDANCE: 50 ohm
- FREQ. RANGE DC TO 18.0
- VSWR: 1.17:1 MAX
- INSERTION LOSS: 0.4 dB MAX
- INSULATION RESISTANCE: 5,000 MegaOhm MIN
- WORKING VOLTAGE: 500 V<sub>rm</sub> @ SEA LEVEL
- RF HIGH POTENTIAL VOLTAGE: 1,000 V<sub>rm</sub> MIN
- DWV: 1,500 V<sub>rm</sub> MIN AT SEA LEVEL
- CORONA LEVEL: 375 V MIN AT 70,000 FEET
- TEMPERATURE RANGE: -65 TO +165°C

COMPONENT	MATERIAL	FINISH
HOUSING	STAINLESS STEEL PER ASTM-A484 AND ASTM-A582, TYPE 303	PASSIVATE PER QQ-P-35
DIELECTRIC	PTFE FLUOROCARBON PER ASTM-D-1457	N/A
CENTER CONTACT	BERYLLIUM COPPER PER ASTM-B-196 OR ASTM-B-197, ALLOY C17300, CONDITION H	GOLD PLATE PER MIL-G-45204

UNLESS OTHERWISE SPECIFIED DIMENSIONS ARE IN INCHES	FRAC. ± 1/64	DEC. ± .005	ANGLES ± °	DRAWN BY D. CAM	DATE 2-28-79	 <b>AMP Incorporated</b> 140 Fourth Avenue Waltham, MA 02451-7599	<b>TITLE</b> HIGH FREQ.(18 GHz) 'TNC' JACK TO 'OSN' JACK ADAPTER	SIZE <b>B</b>	CODE IDENT NO. 26805	3680-2310-02	REV 02 <sub>1</sub>
	CHECKED BY R. S.			DATE 3-26-79							
APPD BY G. H.				DATE 3-27-79		USE ASSY PROCEDURE		NO. AP. N/A			

**COPY IN PUERTO RICO**

CUSTOMER DRAWING

AMP PART # 1058656-1  
SHEET 1 OF 1 REV A