

4

3

2

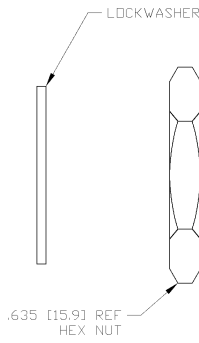
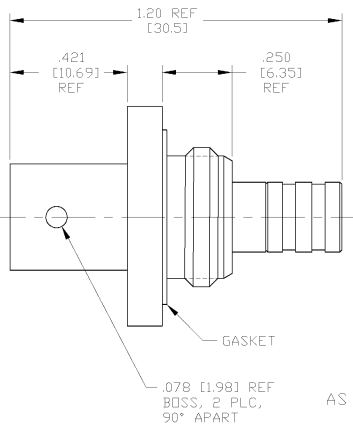
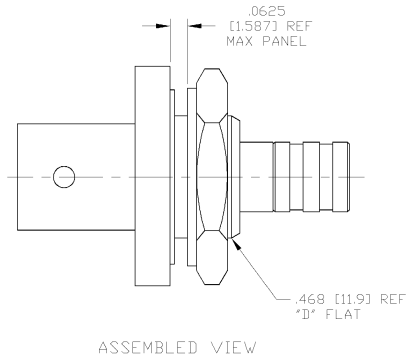
1

THIS DRAWING IS UNPUBLISHED. RELEASED FOR PUBLICATION N/A - N/A

© COPYRIGHT N/A BY TYCO ELECTRONICS CORPORATION. ALL RIGHTS RESERVED.

LOC	DIST	REVISIONS				
DF	XO	P	LTR	DATE	ENR	APPD
		O	RELEASED	4-02	CT	RG

COMPONENT	MATERIAL	FINISH
JACK BODY	BRASS PER ASTM-B-16	GOLD PLATED PER
MOUNTING NUT	1/2 HARD	ASTM-B-488
DIELECTRIC	PTFE FLUOROCARBON	-
	PER ASTM-D-1457	-
CENTER CONTACT	BERYLLIUM COPPER PER	GOLD PLATED PER
	ASTM-B-196 OR ASTM-B-197	ASTM-B-488
	ALLOY C-17300, CONDITION H	-
SLEEVE	STAINLESS STEEL PER	GOLD PLATED PER
	ASTM-A-464 OR ASTM-A-582	ASTM-B-488
	TYPE 303	-
LOCKWASHER	PHOSPHOR BRONZE	GOLD PLATED PER
	PER QQ-B-750	ASTM-B-488
	GRADE B2	-
GASKET	SILICONE RUBBER	-
	PER ZZ-R-765	-



1484361-1
PART
NO.

THIS DRAWING IS A CONTROLLED DOCUMENT		99	C.C.THOMAS	4-17-02	tyco Electronics	Tyco Electronics Corporation Harrisburg, Pa. 17105-3608	
DIMENSIONS: INCHES [mm]		OK	R. GROSS	4-17-02		NAME	
TOLERANCES UNLESS OTHERWISE SPECIFIED:		APD		4-17-02	PRODUCT SPEC		
0 PLC .010		APPLICATION SPEC			SIZE CASE CODE DRAWING NO		RESTRICTED TO
1 PLC .005		WEIGHT			A2 00779 C=1484361		
2 PLC .002		MATERIAL			CUSTOMER DRAWING		SCALE 4:1 SHEET 1 OF 1 REV 0
3 PLC .001		FINISH			MA/CDMH: 3088-5003-09		
4 PLC .0005		SEE TABLE					
5 PLC .0002		SEE TABLE					
6 ANGLE							

AMP 1471-9 REV 31MAR2000

28FE82002_8:32am AMP16412_H:\docmod\1484361_1_c.dwg

1484361

A