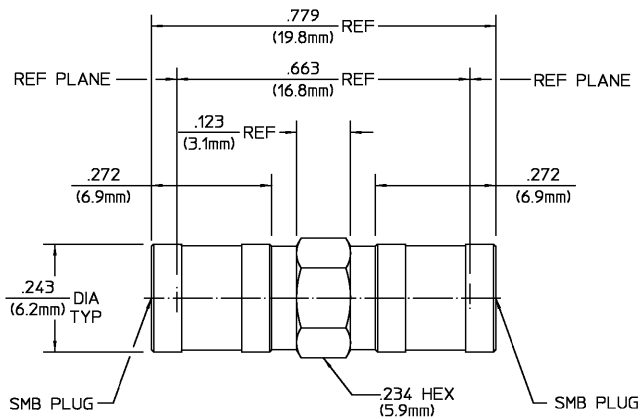


REVISIONS			
REV	DESCRIPTION	DATE	APPROVED
01 <sub>0</sub>	RELEASED		
02 <sub>0</sub>	MAJOR REDESIGN PER ECN 89-1221-6 REDRAWN ON CAD PER ECN 88-0678	LROSS 2-8-90	<i>[Signature]</i> 2-12-90



HOUSING SLEEVE	BRASS PER QQ-B-626 COMP. 360	GOLD PLATE PER MIL-G-45204 OVER COPPER PLATE PER MIL-C-14550
DIELECTRIC	TFE FLUOROCARBON PER ASTM-D-1457, MIL-P-19468, AND FED. SPEC L-P-403	N/A
CENTER CONTACT	BERYLLIUM COPPER PER ASTM B196, ALLOY 173	GOLD PLATE PER MIL-G-45204 OVER COPPER PLATE PER MIL-C-14550
RETAINING RING	BERYLLIUM COPPER PER QQ-C-530	GOLD PLATE PER MIL-G-45204 OVER COPPER PLATE PER MIL-C-14550
COMPONENT	MATERIAL	FINISH

NOTES:  
1. CAPTURED CENTER CONTACT

UNLESS OTHERWISE SPECIFIED DIMENSIONS ARE IN INCHES TOLERANCE ON FRAC. DEC. ANGLES ±1/64 ±.005 ±.1°	DRAWN BY: E.J.C. DATE: 5-26-71 CHECKED BY: P.R.B. 6-1-71 APP'D BY: B.K.W. 6-1-71	AMP Incorporated 140 Fourth Avenue Waltham, MA 02451-7599
These drawings and specifications are the property of Amp Spectra Incorporated and shall not be reproduced or copied or used in whole or in part as the basis for the manufacture or sale of items without written permission.	USE ASSY PROCEDURE  NO. A.P. N/A	TITLE SMB PLUG TO PLUG ADAPTER  SIZE: B CODE IDENT NO. 5181-0000-09 REV 02 <sub>0</sub> SCALE: 5:1 SHEET 1 OF 1

CUSTOMER DRAWING

AMP PART # 1060492-1  
SHEET 1 OF 1 REV A