

4

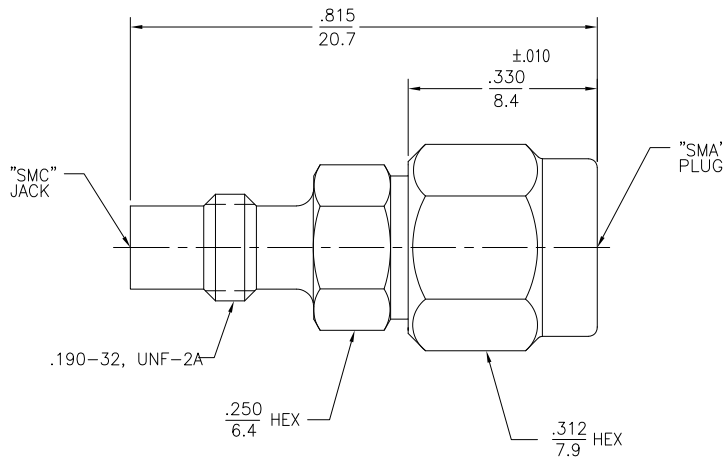
3

2

1

THIS DRAWING IS UNPUBLISHED. RELEASED FOR PUBLICATION
 © COPYRIGHT BY TYCO ELECTRONICS CORPORATION. ALL INTERNATIONAL RIGHTS RESERVED.

LOC		DIBT		REVISIONS			
P	LTR	DESCRIPTION	DATE	BY	APPD		
B		REV PER ECO 08-026436	3DEC2008	DW	JL		



HOUSING COUPLING NUT	STAINLESS STEEL PER ASTM-A484 AND ASTM-A582, TYPE 303	PASSIVATE PER QQ-P-35
DIELECTRIC	PTFE FLUOROCARBON PER ASTM-D-1457	N/A
CENTER CONTACT	BRASS PER ASTM-B-16	GOLD PLATE PER MIL-C-45204
RETAINING RING	BERYLLIUM COPPER PER ASTM-B-194, ALLOY C17200, CONDITION H	N/A
GASKET	SILICONE RUBBER PER ZZ-R-765	N/A
COMPONENT	MATERIAL	FINISH

THIS DRAWING IS A CONTROLLED DOCUMENT.		DRG 6-28-77	Tyco Electronics Corporation Harrisburg, PA 17105-3608		
DIMENSIONS:	INCHES	CHK 6-28-77			
		APPD 6-28-77			
		NAME			
DIMENSIONS: 0 PLG ± .005 1 PLG ± .005 2 PLG ± .005 3 PLG ± .005 4 PLG ± .005 ANGLES ± .1°	FINISH -	PRODUCT SPEC APPLICATION SPEC WEIGHT CUSTOMER DRAWING	SMC PLUG TO SMC JACK ADAPTER (5082-2241-00)		
		SIZE	CAGE CODE	DRAWING NO	RESTRICTED TO
		A2	00779	1060274-1	-
		SCALE	SHEET	1 of 1	REV B

1471-9 (1/08)

1060274-1

A