

4

3

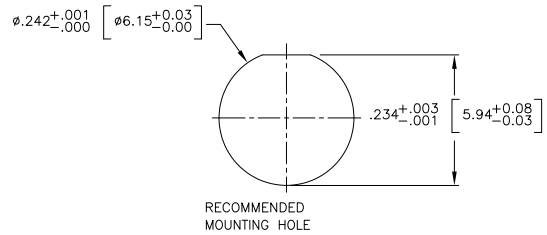
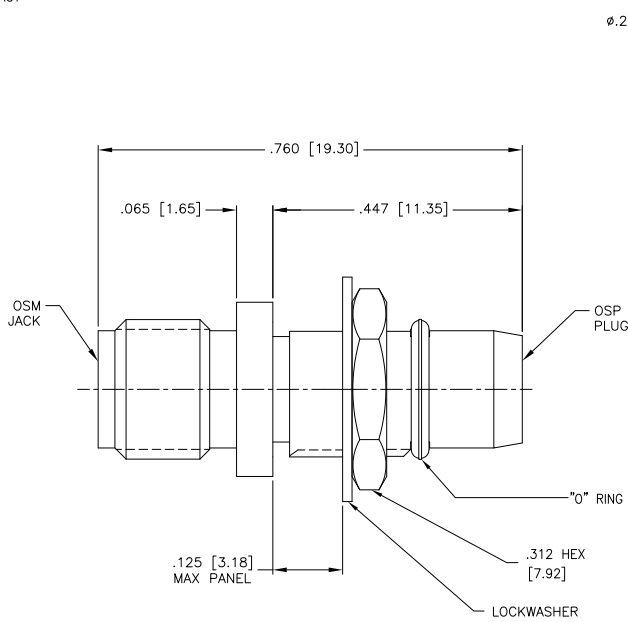
2

1

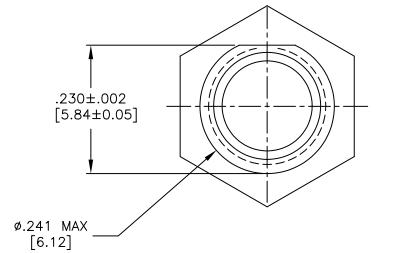
THIS DRAWING IS UNPUBLISHED. RELEASED FOR PUBLICATION
 © COPYRIGHT BY TYCO ELECTRONICS CORPORATION. ALL RIGHTS RESERVED.

LOC		DIST		REVISIONS			DATE	BY	APP'D
P	LTR	DESCRIPTION							
E		REV PER EDD 10-013208			6-24-10	CT	BG		

1 CAPTURED CENTER CONTACT



RECOMMENDED MOUNTING HOLE



VIEW SHOWN WITHOUT "O"-RING, WASHER AND HEX NUT

COMPONENT	MATERIAL	FINISH
HOUSING MOUNTING NUT LOCKWASHER	STAINLESS STEEL PER ASTM-A484 AND ASTM-A582, TYPE 303	PASSIVATE PER QQ-P-35
DIELECTRIC	TFE FLUOROCARBON PER ASTM-D-1457	N/A
CENTER CONTACT	BERYLLIUM COPPER PER ASTM-B-196 OR ASTM-B-197, ALLOY C17300, CONDITION H	GOLD PLATE PER ASTM-B-488
O-RING	FLOUROSILICONE PER MIL-R-25988, CLASS I, TYPE I.	N/A

1663994-1
PART NUMBER

THIS DRAWING IS A CONTROLLED DOCUMENT.		DRW: C.C. THOMAS 21JAN04	Tyco Electronics Corporation Harrisburg, PA 17105-3608	
DIMENSIONS: INCHES (mm)		CHK: 1-24-04	PART: 1-21-04	
TOLERANCES UNLESS OTHERWISE SPECIFIED:		NAME: OSM JACK TO OSP BULKHEAD FEED-THRU PLUG ADAPTOR		
0 PLG ± .005 (0.15)		APPLICATION SPEC: —		
1 PLG ± .005 (0.15)		SIZE: A2		
2 PLG ± .005 (0.15)		CAGE CODE: 00779		
3 PLG ± .005 (0.15)		DRAWING NO: 1663994		
4 PLG ± .005 (0.15)		RESTRICTED TO: —		
ANGLES ± .005 (0.15)		MATERIAL: SEE TABLE		
FINISH: —		CUSTOMER DRAWING		
		SCALE: 8:1		
		SHEET: 1 of 1		
		REV: E		

AMP 1471-9 REV 31MM0200

24JUN2010 us016412 H:\docmod\1663994_1_c.dwg

1663994

A

REV E