

4

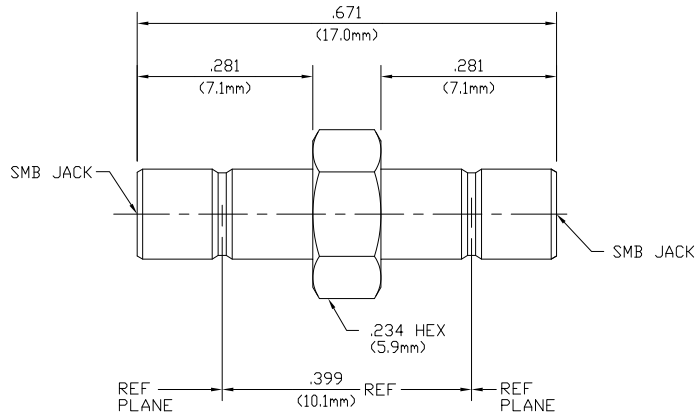
3

2

1

THIS DRAWING IS UNPUBLISHED. RELEASED FOR PUBLICATION
 © COPYRIGHT BY TYCO ELECTRONICS CORPORATION. ALL INTERNATIONAL RIGHTS RESERVED.

LOC	DIST	REVISIONS			
P	LTR	DESCRIPTION	DATE	BY	APPD
AJ	00				
B		REV PER ECO 08-026436	3DEC2008	DW	JL



NOTES:
 1. CAPTURED CENTER CONTACT

COMPONENT	MATERIAL	FINISH
HOUSING	BRASS PER ASTM-B-16	GOLD PLATE PER MIL-G-45204 OVER COPPER PLATE PER MIL-C-14550
DIELECTRIC	TFE FLUOROCARBON PER ASTM-D-1457, MIL-P-19468, AND FED. SPEC L-P-403	N/A
CENTER CONTACT	BRASS PER ASTM-B-16	GOLD PLATE PER MIL-G-45204 OVER COPPER PLATE PER MIL-C-14550

THIS DRAWING IS A CONTROLLED DOCUMENT.

DESIGNER: E.J.C.	DATE: 5-25-71	Tyco Electronics Corporation Harrisburg, PA 17105-3608
CHK: P.R.B.	DATE: 6-1-71	
APPD: B.K.W.	DATE: 6-1-71	SMB JACK TO JACK ADAPTER (5180-0000-09)
PRODUCT SPEC: -	APPLICATION SPEC: -	
MATERIAL: -	WEIGHT: -	SIZE: A2
FINISH: -	CAGE CODE: 00779	DRAWING NO: C=1060485-1
CUSTOMER DRAWING		RESTRICTED TO: -
SCALE: 9:1		SHEET: 1 of 1

1060485-1

A

B