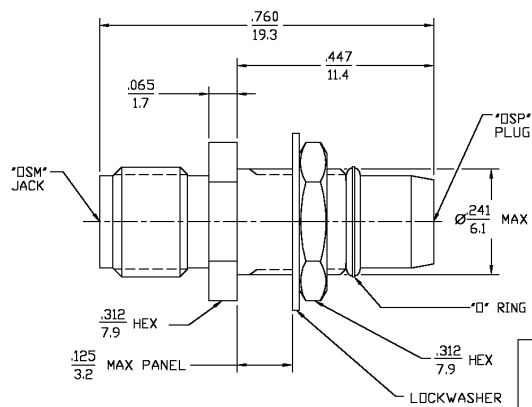


REVISIONS			
REV	DESCRIPTION	DATE	APPROVED
01	RELEASED	1/15/97	<i>pa</i>
B	REVISED PER ECN 0020-0262-01	GV 01/06/03	JGH



HOUSING MOUNTING NUT LOCKWASHER	STAINLESS STEEL PER ASTM-A484 AND ASTM-A582, TYPE 303	PASSIVATE PER QQ-P-35
DIELECTRIC	TFE FLUOROCARBON PER ASTM-D-1457	N/A
CENTER CONTACT	BERYLLIUM COPPER PER ASTM-B-196 OR ASTM-B-197, ALLOY C17300, CONDITION H	GOLD PLATE PER MIL-G-45204
O-RING	FLUOROSILICONE PER MIL-R-25988, CLASS I, TYPE I.	N/A
COMPONENT	MATERIAL	FINISH

NOTE:
1. CAPTURED CENTER CONTACT

.XXX = in
XX.X = mm (REF)

UNLESS OTHERWISE SPECIFIED DIMENSIONS ARE IN INCHES		DRAWN BY <i>pa</i> DATE 12/18/96	AMP Incorporated 140 Fourth Avenue Waltham, MA 02451-7599	
FRAC. ± 1/64	DEC. ± .005	CHECKED BY <i>pa</i>	APP'D BY <i>pa</i> DATE 1/15/97	AMP
These drawings and specifications are the property of M/A CDM Interconnect Div. and shall not be reproduced or copied or used in whole or in part as the basis for the manufacture or sale of F items without written permission.		USE ASS'Y PROCEDURE	TITLE DSM JACK TO OSP BULKHEAD FEEDTHROUGH PLUG ADAPTER	
SIZE B	CODE IDENT. NO. 26805	SCALE 5:1	4585-4030-02	REV 01
N/A		N/A		SHEET 1 OF 1

CUSTOMER DRAWING

AMP PART # 1083442-1
SHEET 1 OF 1 REV B