

4

3

2

1

THIS DRAWING IS UNPUBLISHED.

RELEASED FOR PUBLICATION

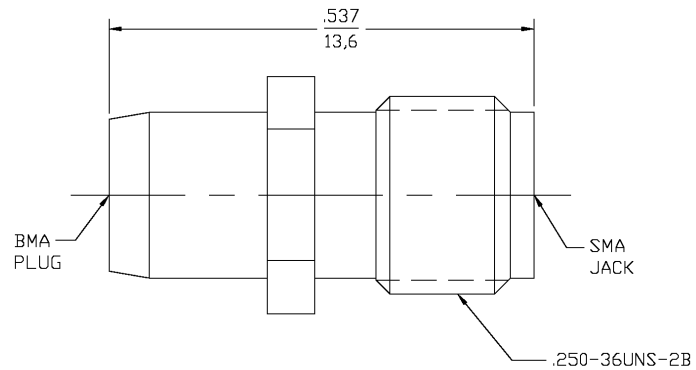
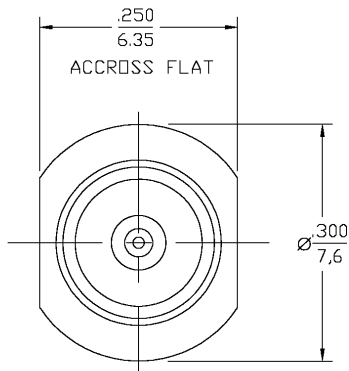
ALL RIGHTS RESERVED.

COPYRIGHT BY TYCO ELECTRONICS CORPORATION.

LOC HC DIST 00

REVISIONS

P	LTR	DESCRIPTION	DATE	DWN	APVD
A		RELEASE	6/6/03	-	DCom



## NOTES:

1. FREQUENCY RANGE: DC TO 18 GHz
2. VSWR: 1.05 +.005 f(GHz)
3. INSERTION LOSS: .06  $\sqrt{f(GHz)}$
4. CAPTURED CENTER CONTACT

HOUSING	STAINLESS STEEL ASTM-A484 & ASTM-A582 TYPE 303	PASSIVATE PER QQ-P-35
CONTACT	BERYLLIUM COPPER PER ASTM-B-196, ALLOY C17300, COND H	GOLD PLATE PER MIL-G-45204
DIELECTRIC	PTFE FLUOROCARBON PER ASTM-D-4894	N/A
COMPONENT	MATERIAL	FINISH

1059716-1

PART NO

THIS DRAWING IS A CONTROLLED DOCUMENT.

DWN PVC 4/29/82

CHK RAL 4/29/82

APVD JK 4/29/82

Tyco Electronics Corporation  
Norwood, MA 02062

DIMENSIONS:

TOLERANCES UNLESS OTHERWISE SPECIFIED:

0 PLC	± .005
1 PLC	± .005
2 PLC	± .005
3 PLC	± .005
4 PLC	± .005
ANGLES	± 1

PRODUCT SPEC

APPLICATION SPEC

WEIGHT

CUSTOMER DRAWING

NAME

SIZE

CAGE CODE

DRAWING NO

RESTRICTED TO

SCALE

SHEET

OF

REV

A

A

A

A

A

A

A

A

A

A

A

A

A

A

A

A

A

A

A

A

A

A

A

AMP 1470-19 REV 31MAR2000

H:\